

CE
ISO9001



常州市恩荣液压科技有限公司

CHANGZHOU ROHN HYDRAULIC SCI-TECH CO.,LTD

地址：江苏省常州市武进区雪堰镇旷达路13号

Address: No.13 Kuangda Road, Xueyan Town,
Wujin District, Changzhou, Jiangsu Province, China

电话 (Tel) : 0086-519-86057606

传真 (Fax) : 0086-519-86056606

手机 (Mobile) : +86-13806122516

邮箱 (EMAIL) : 35113991@qq.com

网址 (Website) : <https://czenrong.en.alibaba.com/>

<http://www.czenry.com/>



简介 General Description

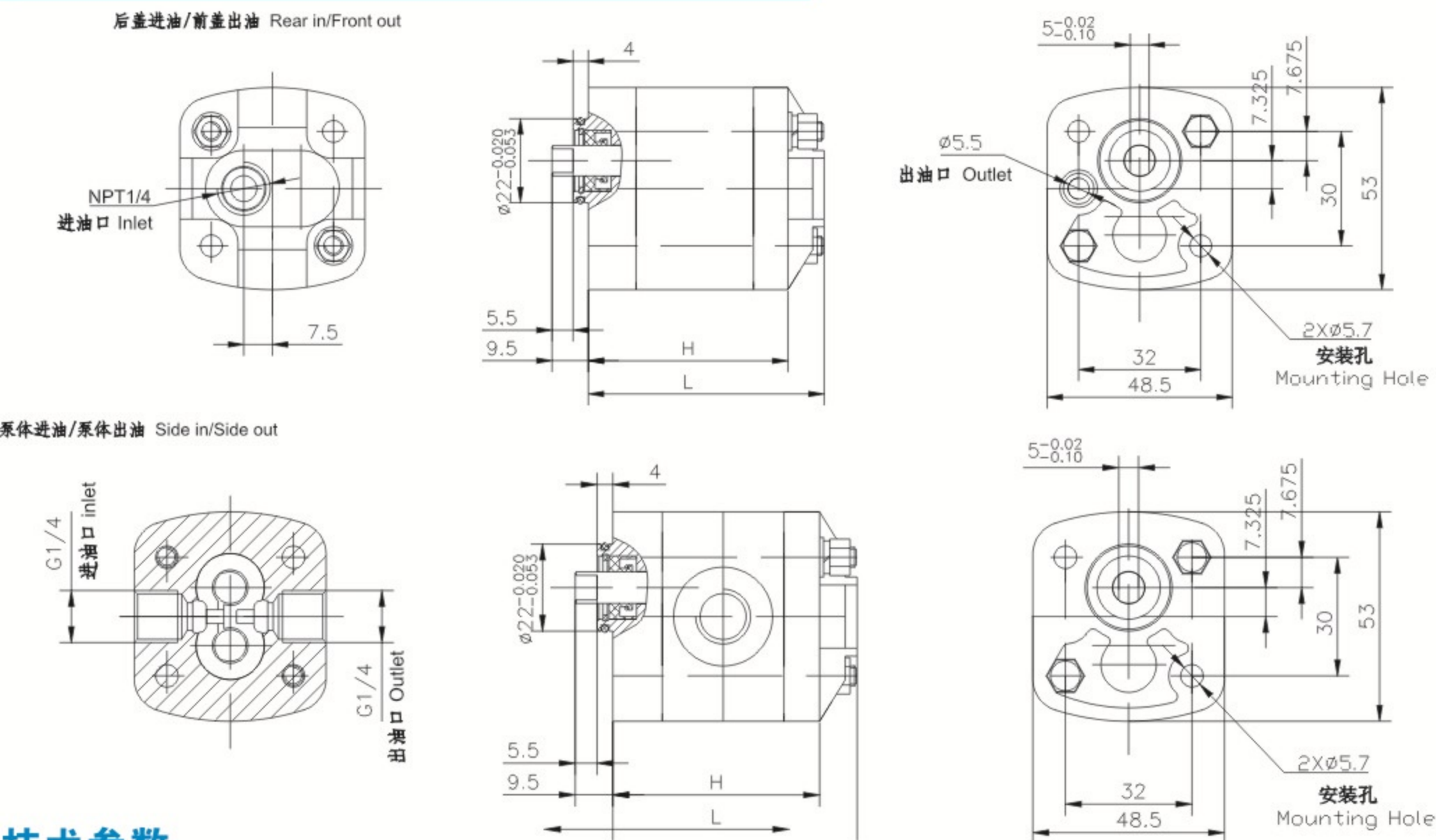
CBT-E1***系列齿轮泵属于中高压齿轮泵，是液压系统中的动力元件，采用高精度齿轮，高强度铝合金壳体，浮动轴套，具有结构简单，重量轻，使用可靠等优点，广泛应用于广泛应用于机床、劈木机等中小型液压系统。该系列泵具有左旋旋向。

CBT-E1*** series gear pump is dynamic component of the hydraulic system. It features high precision gears, high strength aluminum-alloy shell, float bushings. It has the characteristics of simple structure, light weight, high efficiency, low noise, and high reliability, etc. It is widely used in the hydraulic system and hydraulic power unit. Counterclockwise direction pump are available.

型号说明 Model code



外形尺寸 Installation Dimensions



技术参数 Technical Data

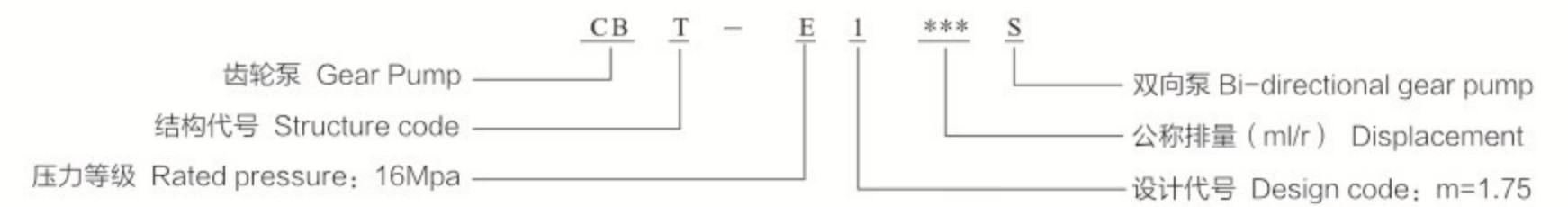
型号 Model	公称排量 Disp. (ml/r)	压力 Pressure (MPa)		转速 Speed (r/min)		尺寸 Diminon	
		额定 Rated	最高 Max.	额定 Rated	最高 Max.	H (mm)	L (mm)
CBT-E100.19	0.19	16	20	1500	3000	51.1	60.6
CBT-E100.26	0.26	16	20	1500	3000	51.7	61.2
CBT-E100.32	0.32	16	20	1500	3000	52.2	61.7
CBT-E100.38	0.38	16	20	1500	3000	52.7	62.2
CBT-E100.45	0.45	16	20	1500	3000	53.5	63
CBT-E100.60	0.60	16	20	1500	3000	54.5	64
CBT-E100.75	0.75	16	20	1500	3000	55.7	65.2
CBT-E100.84	0.84	16	20	1500	3000	56.7	66.2
CBT-E101.00	1.00	16	20	1500	3000	57.7	67.2
CBT-E101.25	1.25	16	20	1500	3000	59.7	69.2

简介 General Description

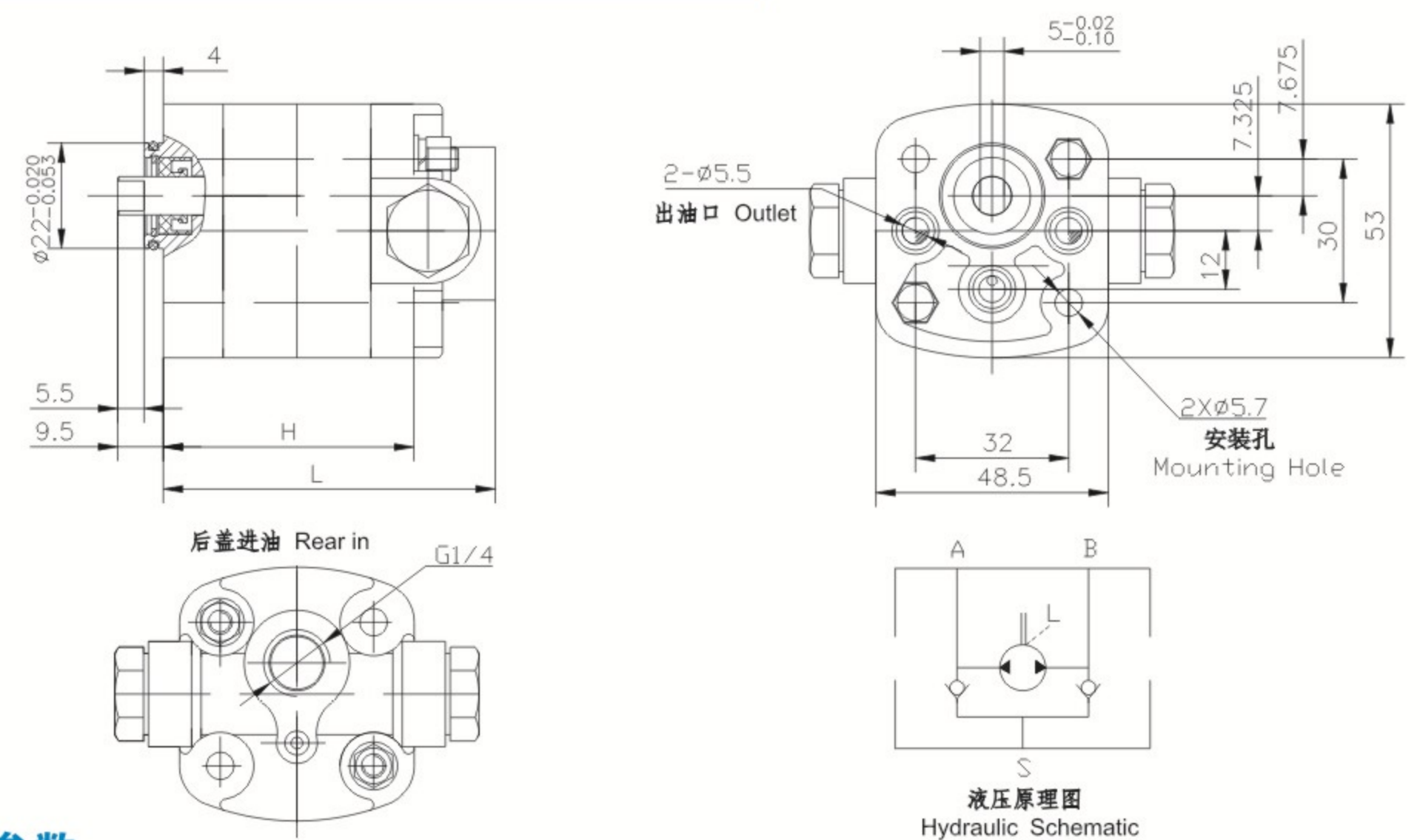
CBT-E1***系列齿轮泵属于中高压齿轮泵，是液压系统中的动力元件，采用高精度齿轮，高强度铝合金壳体，浮动轴套，具有结构简单，重量轻，使用可靠等优点，广泛应用于广泛应用于机床、劈木机等中小型液压系统。该系列泵具有左旋旋向。

CBT-E1*** series gear pump is dynamic component of the hydraulic system. It features high precision gears, high strength aluminum-alloy shell, float bushings. It has the characteristics of simple structure, light weight, high efficiency, low noise, and high reliability, etc. It is widely used in the hydraulic system and hydraulic power unit. Counterclockwise direction pump are available.

型号说明 Model code



外形尺寸 Installation Dimensions



技术参数 Technical Data

型号 Model	公称排量 Disp. (ml/r)	压力 Pressure (MPa)		转速 Speed (r/min)		尺寸 Diminon	
		额定 Rated	最高 Max.	额定 Rated	最高 Max.	H (mm)	L (mm)
CBT-E100.26	0.26	16	20	1500	3000	51.7	61.2
CBT-E100.32	0.32	16	20	1500	3000	52.2	61.7
CBT-E100.38	0.38	16	20	1500	3000	52.7	62.2
CBT-E100.45	0.45	16	20	1500	3000	53.5	63
CBT-E100.60	0.60	16	20	1500	3000	54.5	64
CBT-E100.75	0.75	16	20	1500	3000	55.7	65.2
CBT-E100.84	0.84	16	20	1500	3000	56.7	66.2
CBT-E101.00	1.00	16	20	1500	3000	57.7	67.2
CBT-E101.25	1.25	16	20	1500	3000	59.7	69.2
CBT-E101.5	1.5	16	20	1500	3000	62	71.5

CBT-**/**系列双级齿轮泵

简介 General Description

CBT-**/**系列双级齿轮泵是由一个大排量低压齿轮泵和一个小排量高压齿轮泵组成，包括前盖、壳体和泵体，在壳体上装有单向阀，前盖上装有溢流阀。当泵工作压力小于溢流阀开启压力时，两个齿轮泵同时输出液压油，当工作压力高于溢流阀的开启压力时，只有小排量泵输出高压油，从而减少功率损耗。

CBT-**/**系列双级齿轮泵广泛应用于劈材机、压力机和机床中。该系列泵具有右旋旋向。

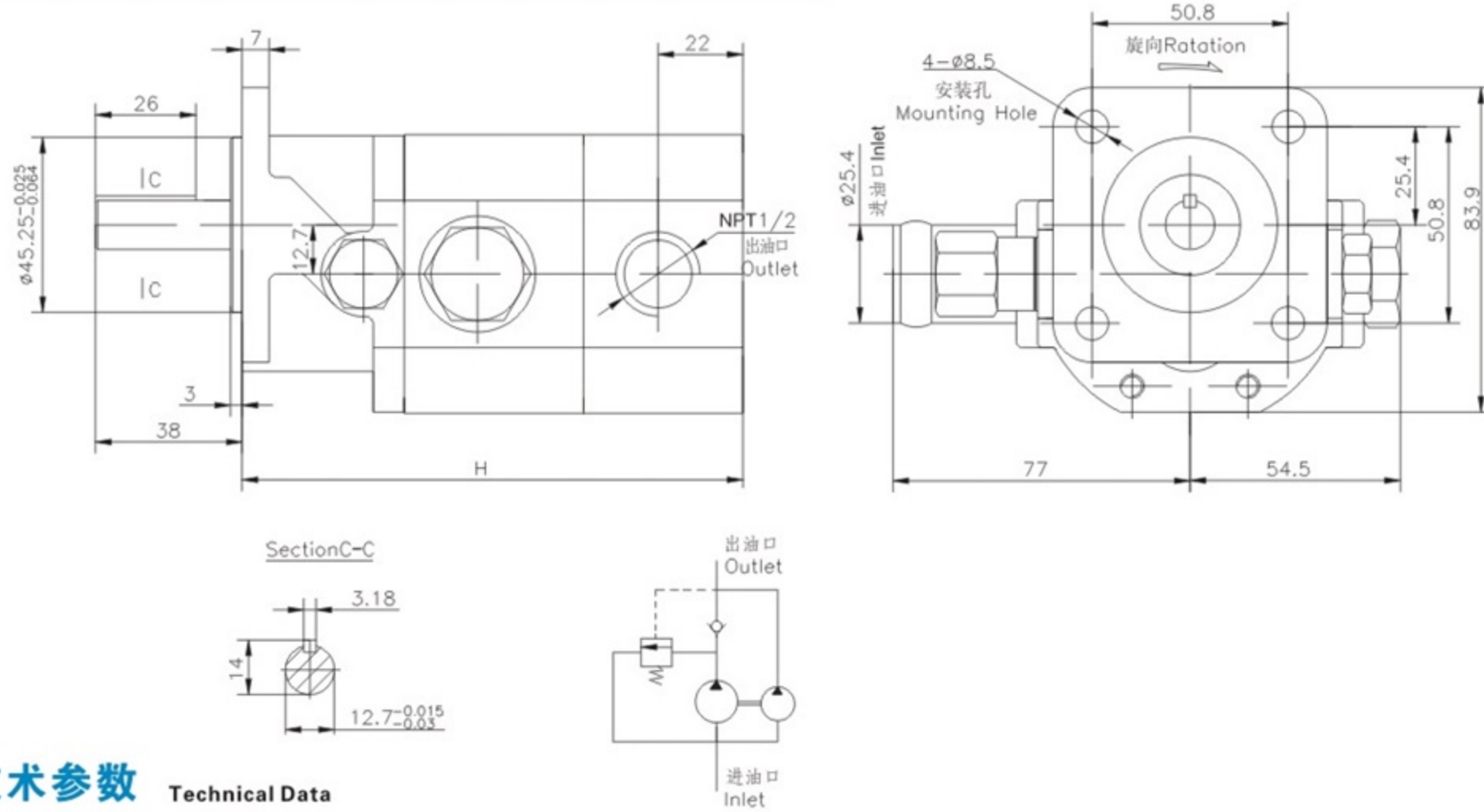
CBT-**/** series dual gear pump consists of a big displacement, low pressure pump and a small displacement, high pressure pump, a check valve as well as a relief valve. When working at the pressure lower than the relief pressure, both big and small pump supply volume. When working at a high pressure, only small pump supplies volume, which highly reduces the power consumption. The CBT-**/** series dual gear pump is widely used in log splitter, press, machine tools. Clockwise direction pump are available.



型号说明 Model code



外形尺寸 Installation Dimensions



技术参数 Technical Data

型号 Model	流量 Flow L/min	排量 Displacement (ml/r)		压力 Pressure (MPa)		转速 Speed (r/min)	尺寸 Dimention H (mm)
		高压泵 Hi Pre.	低压泵 Low Pre.	溢流阀 Unload	工作压力 Work		
CBT-6.3/2.1	30	6.3	2.1	4.5	21	3600	115.7
CBT-8.8/2.1	39	8.8	2.1				124.7
CBT-8.8/3.6	44	8.8	3.6				129.8
CBT-10.9/2.1	4.6	10.9	2.1				132.2
CBT-13/1.8	53	13	1.8				138.1
CBT-13/2.1	54	13	2.1				139.2
CBT-13/3.0	58	13	3.0				142.1
CBT-13/4.2	62	13	4.2				146.1
CBT-15/3.0	64	15	3.0				142.1

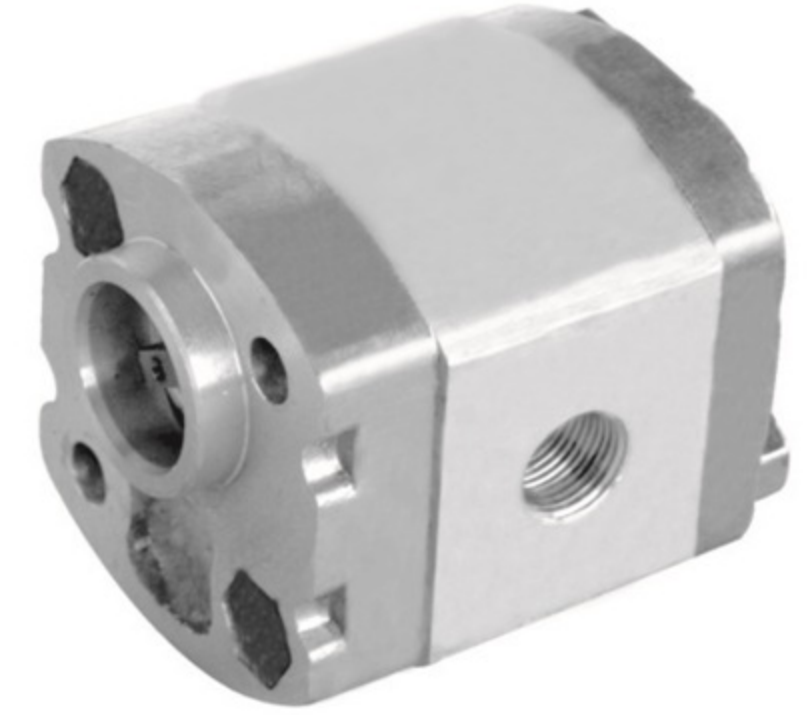
科技造福生活

CBT-F2***系列齿轮泵

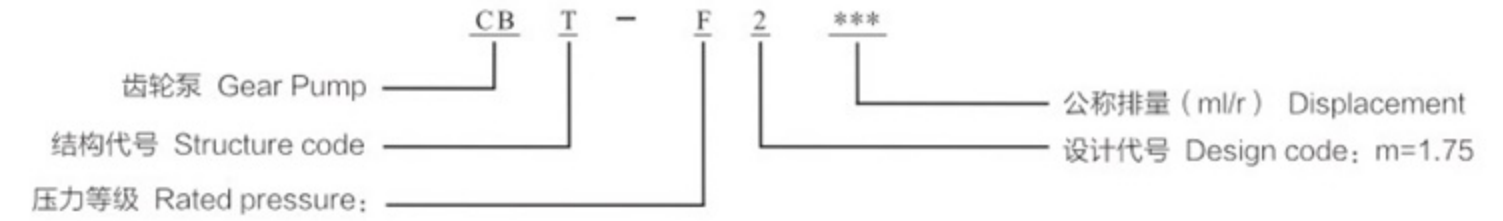
简介 General Description

CBT-F2***系列齿轮泵属于中高压齿轮泵，是液压系统中的动力元件，采用高精度齿轮，高强度铝合金壳体，浮动轴套及DU衬套，具有结构简单，重量轻，使用可靠等优点，广泛应用于广泛应用于机床、劈木机等中小型液压系统。该系列泵具有左旋、右旋两种旋向。

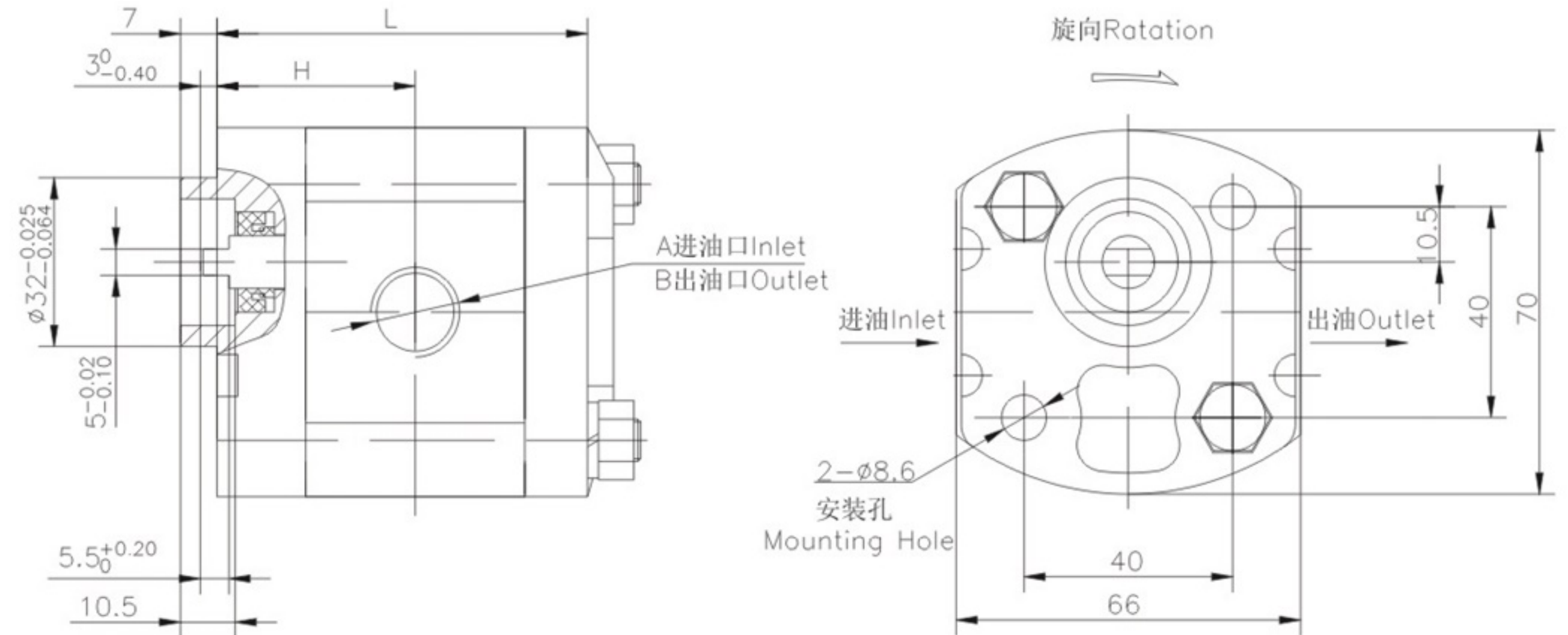
CBT-F2*** series gear pump is dynamic component of the hydraulic system. It features high precision gears, high strength aluminum-alloy shell, float bushings, and DU bearings. It has the characteristics of simple structure, light weight, high efficiency, low noise, and high reliability, etc. It is widely used in the hydraulic system and hydraulic power unit. Both clockwise and counterclockwise direction pump are available.



型号说明 Model code



外形尺寸 Installation Dimensions



技术参数 Technical Data

型号 Model	公称排量 Disp. (ml/r)	压力 Pressure (MPa)		转速 Speed (r/min)		尺寸 Dimention		进油口 Inlet A	出油口 Outlet B
		额定 Rated	最高 Max.	额定 Rated	最高 Max.	H (mm)	L (mm)		
CBT-F201.1	1.1	20	25	2000	4000	35.75	66.5	RC3/8 G3/8	RC3/8 G3/8
CBT-F201.6	1.6	20	25	2000	4000	36.75	68.5		
CBT-F202.1	2.1	20	25	2000	4000	38	71		
CBT-F202.6	2.6	20	25	2000	4000	39	73		
CBT-F203.2	3.2	20	25	2000	4000	40.5	76		
CBT-F203.7	3.7	20	25	2000	3600	41.75	78.5		
CBT-F204.2	4.2	20	25	2000	3600	43	81		
CBT-F205.8	5.8	16	20	1500	3000	46.5	88		

简介 General Description

CBT-F2***A系列齿轮泵属于中高压齿轮泵，是液压系统中的动力元件，采用高精度齿轮，高强度铝合金壳体，浮动轴套及DU衬套，具有结构简单，重量轻，使用可靠等优点，广泛应用于广泛应用于机床、劈木机等中小型液压系统。该系列泵具有左旋、右旋两种旋向。

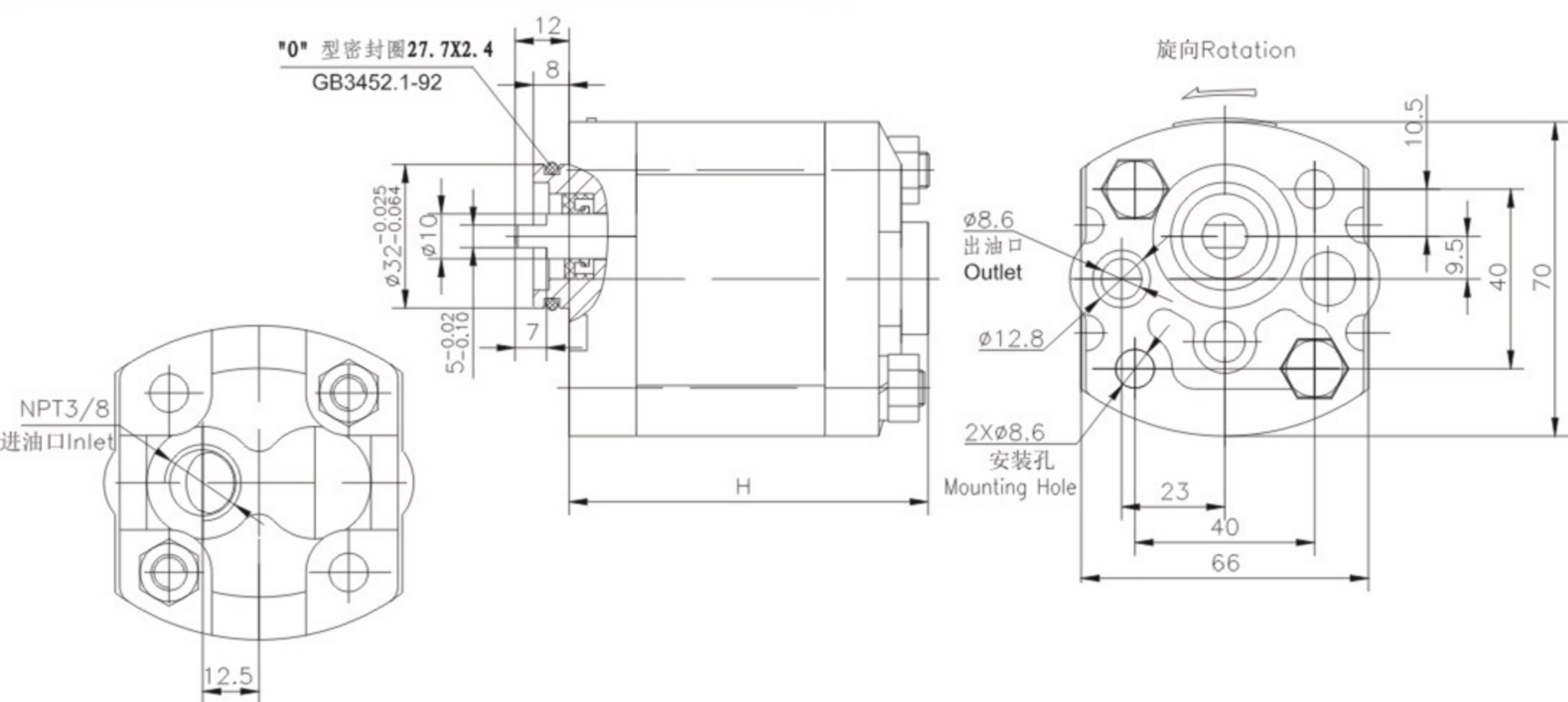
CBT-F2***A series gear pump is dynamic component of the hydraulic system. It features high precision gears, high strength aluminum-alloy shell, float bushings, and DU bearings. It has the characteristics of simple structure, light weight, high efficiency, low noise, and high reliability, etc. It is widely used in the hydraulic system and hydraulic power unit. Both clockwise and counterclockwise direction pump are available.



型号说明 Model code



外形尺寸 Installation Dimensions



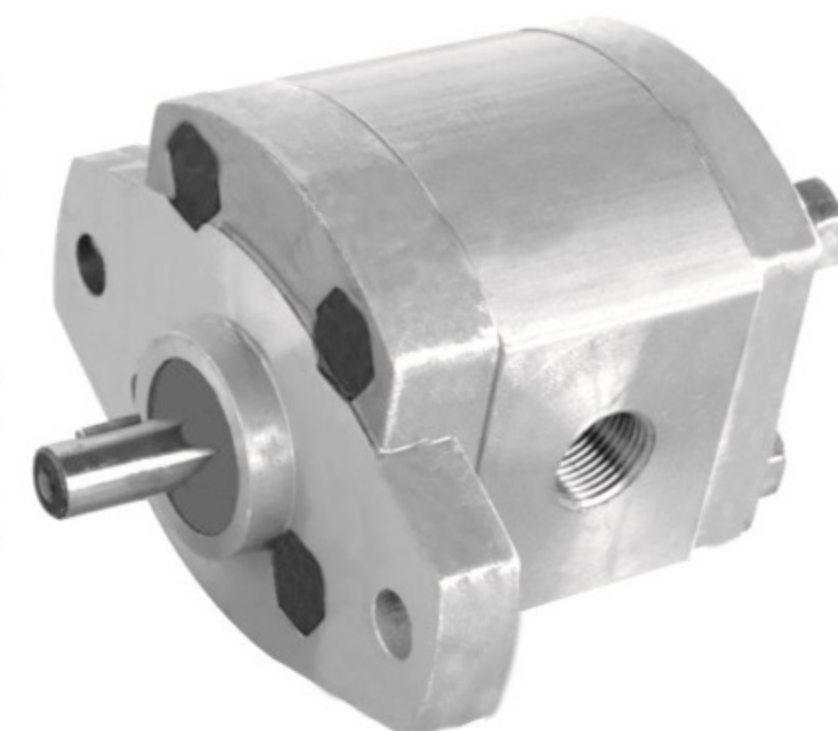
技术参数 Technical Data

型号 Model	公称排量 Disp. (ml/r)	压力 Pressure (MPa)		转速 Speed (r/min)		尺寸 Dimention H (mm)
		额定 Rated	最高 Max.	额定 Rated	最高 Max.	
CBT-F200.75	0.75	20	25	2000	4000	73.5
CBT-F201.1	1.1	20	25	2000	4000	75.5
CBT-F201.3	1.3	20	25	2000	4000	76.5
CBT-F201.6	1.6	20	25	2000	4000	77.5
CBT-F202.1	2.1	20	25	2000	4000	80
CBT-F202.6	2.6	20	25	2000	4000	82
CBT-F203.2	3.2	20	25	2000	4000	85
CBT-F203.7	3.7	20	25	2000	3600	87.5
CBT-F204.2	4.2	20	25	2000	3600	90
CBT-F204.8	4.8	16	20	1500	3000	92.5
CBT-F205.8	5.8	16	20	1500	3000	97

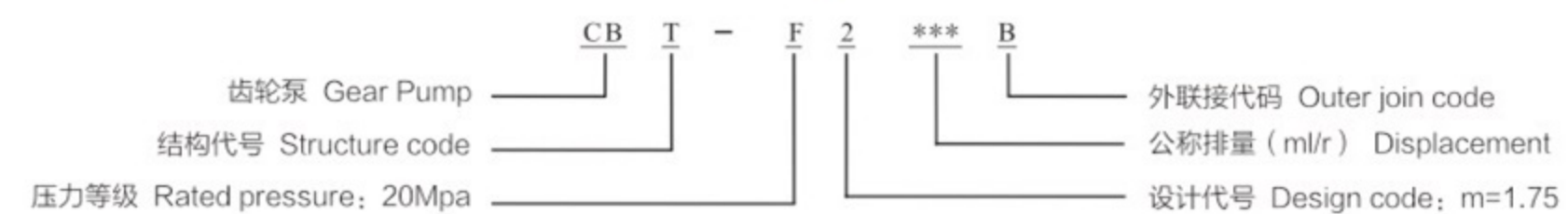
简介 General Description

CBT-F2***B系列齿轮泵属于中高压齿轮泵，是液压系统中的动力元件，采用高精度齿轮，高强度铝合金壳体，浮动轴套及DU衬套，具有结构简单，重量轻，使用可靠等优点，广泛应用于广泛应用于机床、劈木机等中小型液压系统。该系列泵有右旋旋向。

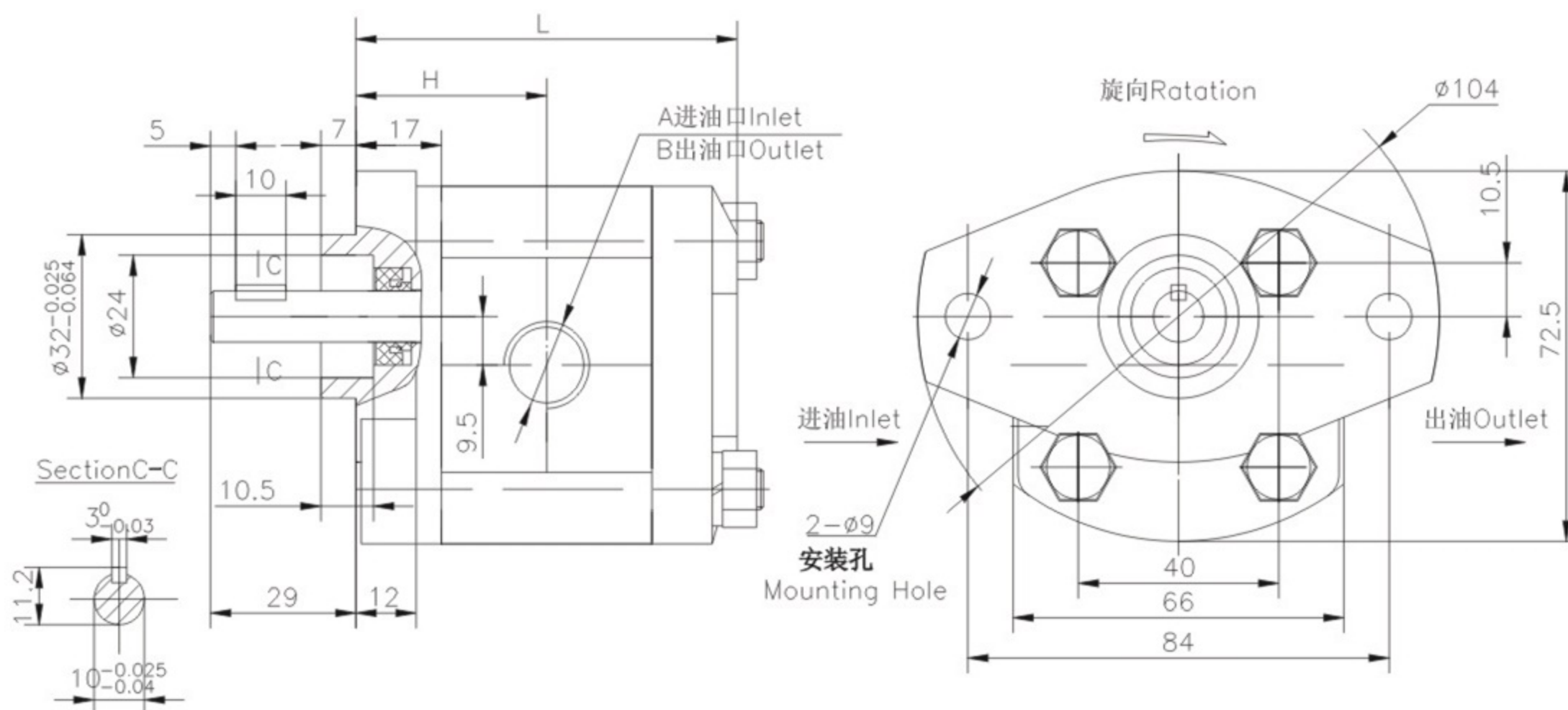
CBT-F2***B series gear pump is dynamic component of the hydraulic system. It features high precision gears, high strength aluminum-alloy shell, float bushings, and DU bearings. It has the characteristics of simple structure, light weight, high efficiency, low noise, and high reliability, etc. It is widely used in the hydraulic system and hydraulic power unit. Clockwise direction pump are available.



型号说明 Model code



外形尺寸 Installation Dimensions



技术参数 Technical Data

型号 Model	公称排量 Disp. (ml/r)	压力 Pressure (MPa)		转速 Speed (r/min)		尺寸 Dimention		进油口 Inlet A	出油口 Outlet B
		额定 Rated	最高 Max.	额定 Rated	最高 Max.	H (mm)	L (mm)		
CBT-F201.1	1.1	20	25	2000	4000	35.75	66.5	RC3/8	RC3/8
CBT-F201.6	1.6	20	25	2000	4000	36.75	68.5		
CBT-F202.1	2.1	20	25	2000	4000	38	71		
CBT-F202.6	2.6	20	25	2000	4000	39	73	G3/8	G3/8
CBT-F203.2	3.2	20	25	2000	4000	40.5	76		
CBT-F204.2	4.2	20	25	2000	3600	43	81		

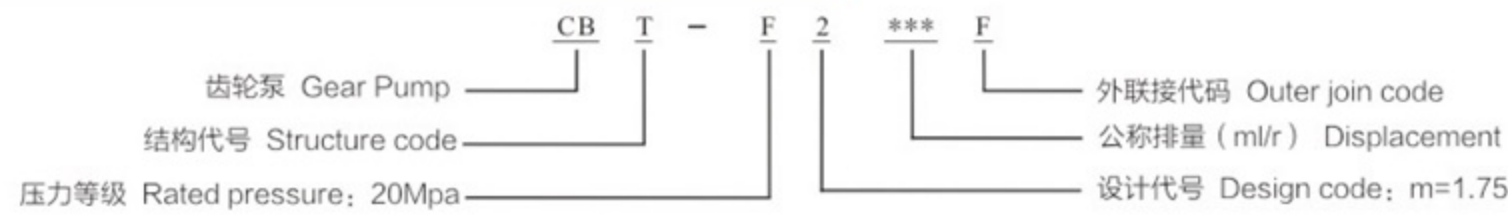
CBT-F2*** F系列齿轮泵

简介 General Description

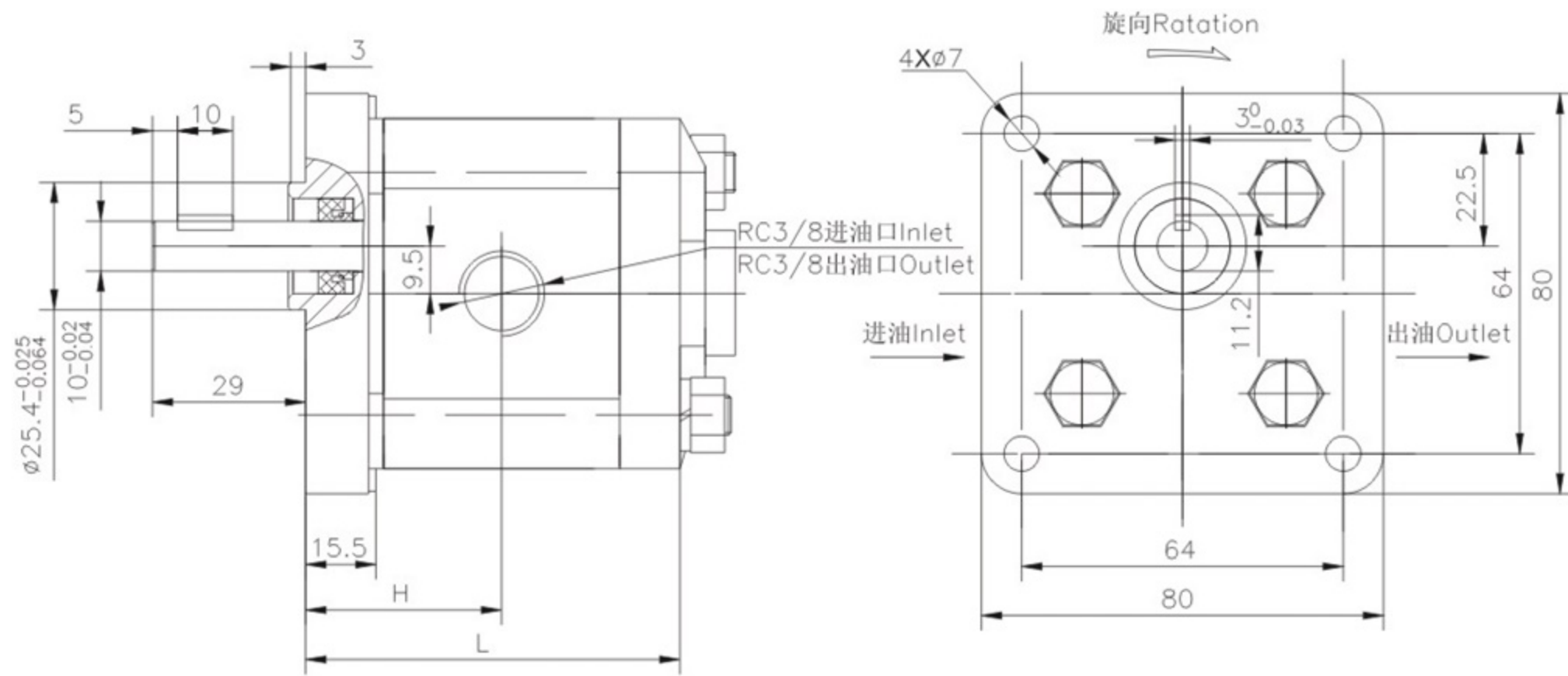
CBT-F2***F系列齿轮泵属于中高压齿轮泵，是液压系统中的动力元件，采用高精度齿轮，高强度铝合金壳体，浮动轴套及DU衬套，具有结构简单，重量轻，使用可靠等优点，广泛应用于广泛应用于机床、劈木机等中小型液压系统。该系列泵具有右旋旋向。

CBT-F2***F series gear pump is dynamic component of the hydraulic system. It features high precision gears, high strength aluminum-alloy shell, float bushings, and DU bearings. It has the characteristics of simple structure, light weight, high efficiency, low noise, and high reliability, etc. It is widely used in the hydraulic system and hydraulic power unit. Clockwise direction pump are available.

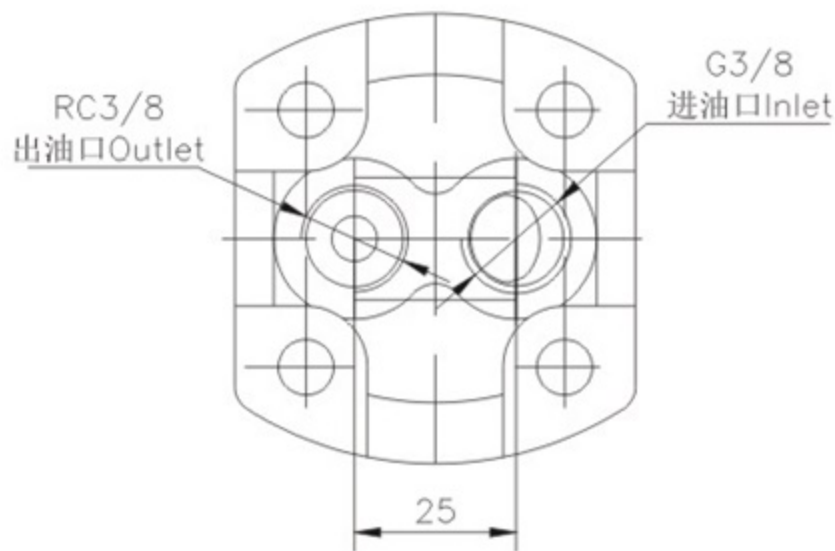
型号说明 Model code



外形尺寸 Installation Dimensions



后盖进/出油 Rear in/Rear out



技术参数 Technical Data

型号 Model	公称排量 Disp. (ml/r)	压力 Pressure (MPa)		转速 Speed (r/min)		尺寸 Dimention		进油口 Inlet A	出油口 Outlet B
		额定 Rated	最高 Max.	额定 Rated	最高 Max.	H (mm)	L (mm)		
CBT-F201.1	1.1	20	25	2000	4000	35.75	66.5	M20 x 1.5	M20 x 1.5
CBT-F201.6	1.6	20	25	2000	4000	36.75	68.5		
CBT-F202.1	2.1	20	25	2000	4000	38	71		
CBT-F202.6	2.6	20	25	2000	4000	39	73		
CBT-F203.2	3.2	20	25	2000	4000	40.5	76		
CBT-F204.2	4.2	20	25	2000	3600	43	81		

科技造福生活

CBT1-F2***系列齿轮泵

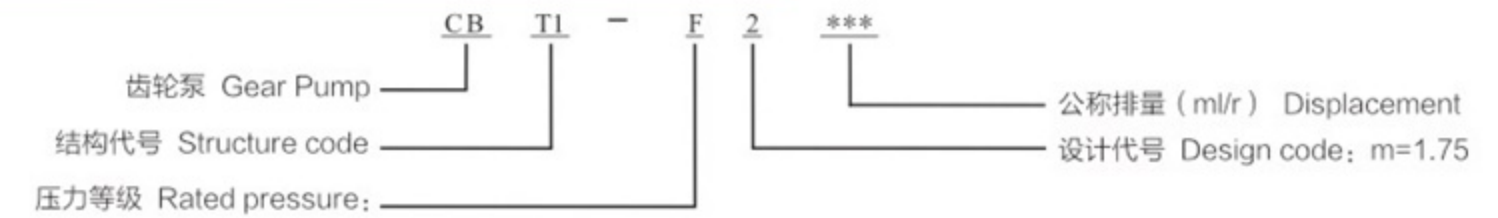
简介 General Description

CBT1-F2***系列齿轮泵属于中高压齿轮泵，是液压系统中的动力元件，采用高精度齿轮，高强度铝合金壳体，浮动轴套及DU衬套，具有结构简单，重量轻，使用可靠等优点，广泛应用于广泛应用于机床、劈木机等中小型液压系统。该系列泵具有左旋(逆时针)、右旋(顺时针)两种旋向。

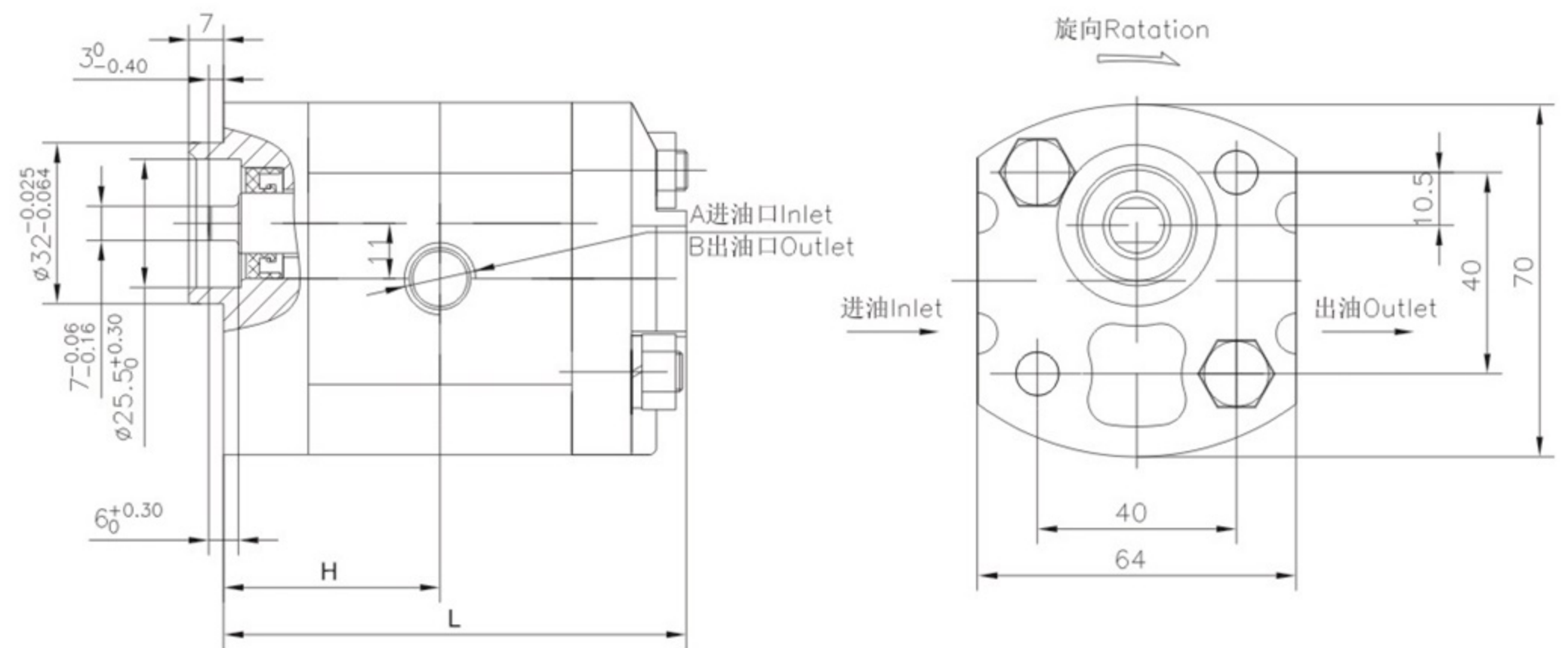
CBT1-F2*** series gear pump is dynamic component of the hydraulic system. It features high precision gears, high strength aluminum-alloy shell, float bushings, and DU bearings. It has the characteristics of simple structure, light weight, high efficiency, low noise, and high reliability, etc. It is widely used in the hydraulic system and hydraulic power unit. Both clockwise and counterclockwise direction pump are available.



型号说明 Model code



外形尺寸 Installation Dimensions



技术参数 Technical Data

型号 Model	公称排量 Disp. (ml/r)	压力 Pressure (MPa)		转速 Speed (r/min)		尺寸 Dimention		进油口 Inlet A	出油口 Outlet B
		额定 Rated	最高 Max.	额定 Rated	最高 Max.	H (mm)	L (mm)		
CBT1-F202.1	2.1	20	25	2000	3600	39.25	84.5	M20 x 1.5	M20 x 1.5
CBT1-F202.5	2.5	20	25	2000	3600	40.25	86.5		
CBT1-F203.2	3.2	20	25	2000	3600	41.5	89		
CBT1-F204.2	4.2	20	25	2000	3600	43.5	93		
CBT1-F204.8	4.8	20	25	2000	3600	44.75	95.5		
CBT1-F205.8	5.8	20	25	2000	3600	46.75	99.5		
CBT1-F206.8	6.8	16	20	1500	3000	49	102		
CBT1-F207.8	7.8	16	20	1500	3000	51.4	106.8		

CBT1-F2***A系列齿轮泵

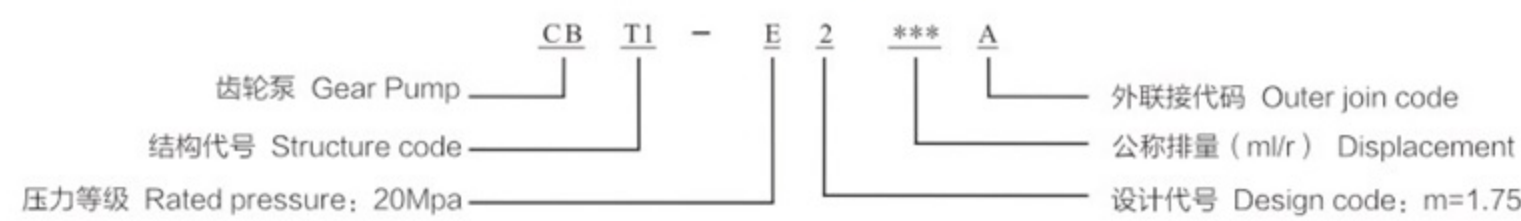
简介 General Description

CBT1-F2***A系列齿轮泵属于中高压齿轮泵，是液压系统中的动力元件，采用高精度齿轮，高强度铝合金壳体，浮动轴套及DU衬套，具有结构简单，重量轻，使用可靠等优点，广泛应用于广泛应用于机床、劈木机等中小型液压系统。该系列泵有左旋、右旋两种旋向。

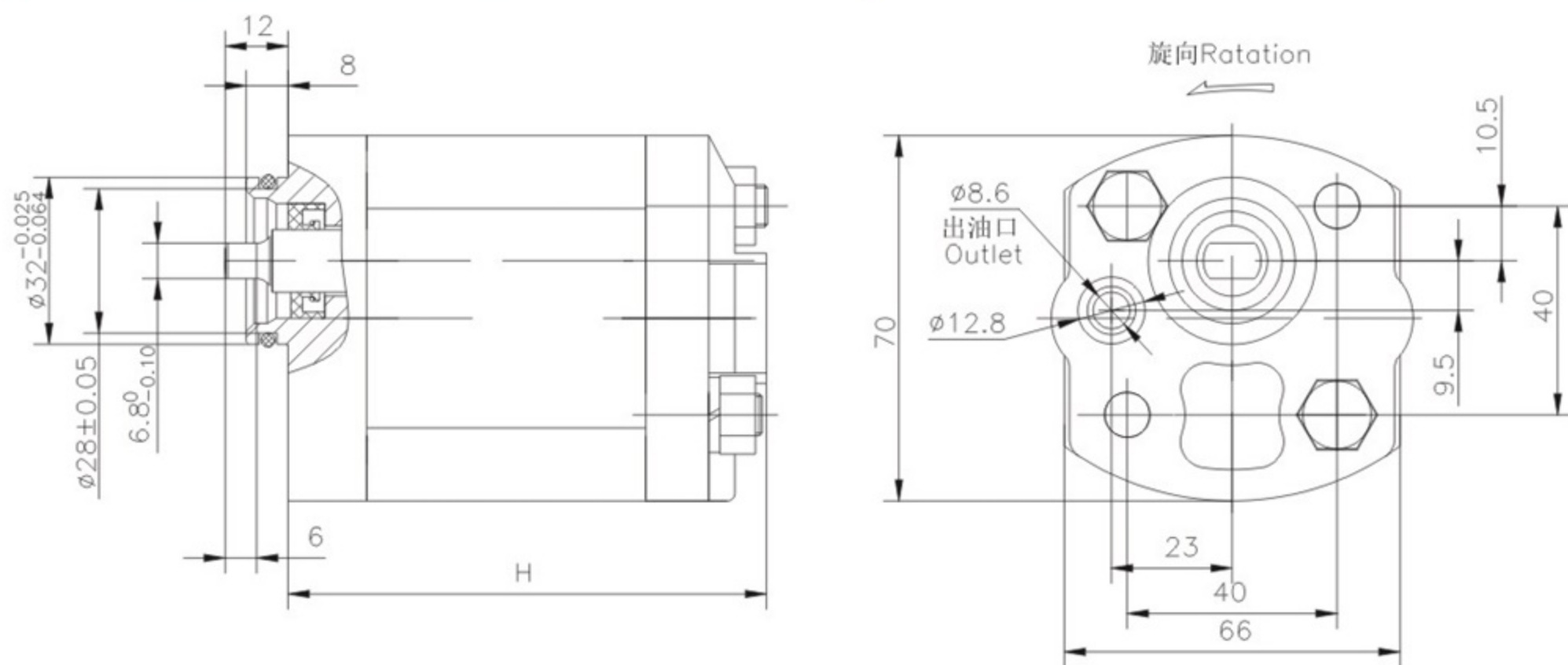
CBT1-F2***A series gear pump is dynamic component of the hydraulic system. It features high precision gears, high strength aluminum-alloy shell, float bushings, and DU bearings. It has the characteristics of simple structure, light weight, high efficiency, low noise, and high reliability, etc. It is widely used in the hydraulic system and hydraulic power unit. Both clockwise and counterclockwise direction pump are available.



型号说明 Model code



外形尺寸 Installation Dimensions



技术参数 Technical Data

型号 Model	公称排量 Disp. (ml/r)	压力 Pressure (MPa)		转速 Speed (r/min)		尺寸 Diminon H (mm)
		额定 Rated	最高 Max.	额定 Rated	最高 Max.	
CBT1-F202.1	2.1	20	25	2000	3600	39.25
CBT1-F202.5	2.5	20	25	2000	3600	40.25
CBT1-F203.2	3.2	20	25	2000	3600	41.5
CBT1-F204.2	4.2	20	25	2000	3600	43.5
CBT1-F204.8	4.8	20	25	2000	3600	44.75
CBT1-F205.8	5.8	20	25	2000	3600	46.75
CBT1-F206.8	6.8	16	20	1500	3000	49
CBT1-F207.8	7.8	16	20	1500	3000	51.4

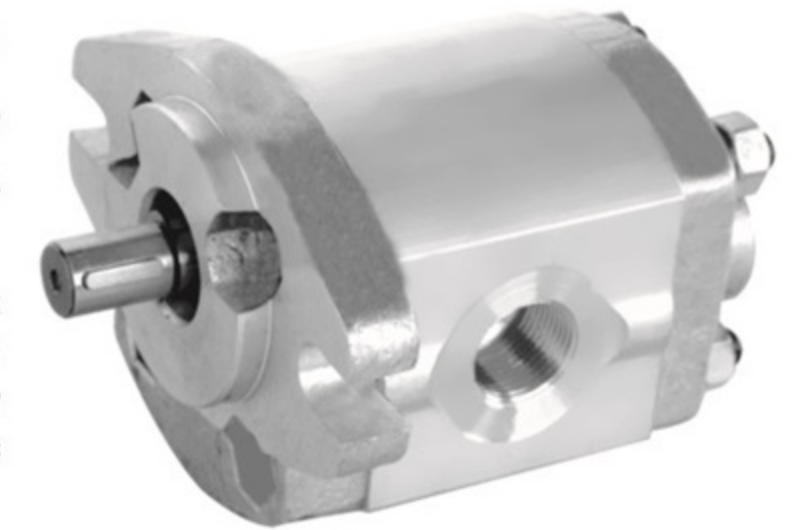
科技造福生活

CBT1-F2***B系列齿轮泵

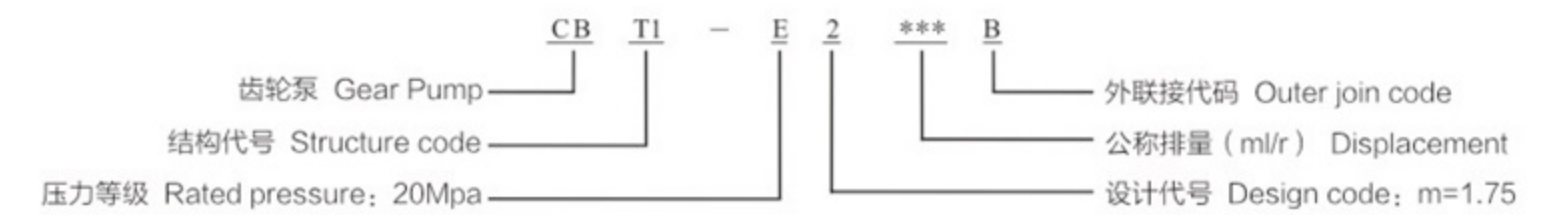
简介 General Description

CBT1-F2***B系列齿轮泵属于中高压齿轮泵，是液压系统中的动力元件，采用高精度齿轮，高强度铝合金壳体，浮动轴套及DU衬套，具有结构简单，重量轻，使用可靠等优点，广泛应用于广泛应用于机床、劈木机等中小型液压系统。该系列泵具有左旋、右旋两种旋向。

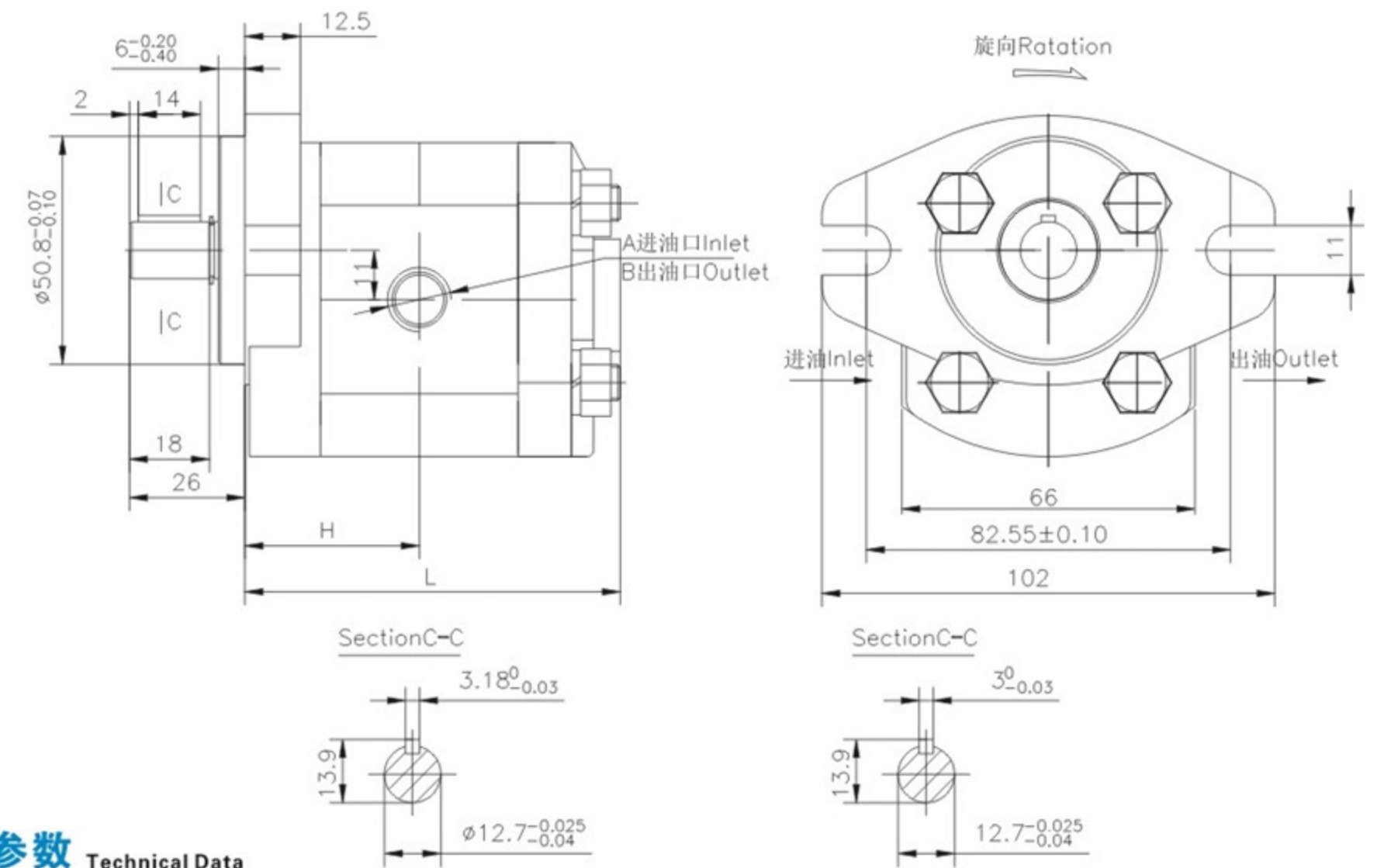
CBT1-F2***B series gear pump is dynamic component of the hydraulic system. It features high precision gears, high strength aluminum-alloy shell, float bushings, and DU bearings. It has the characteristics of simple structure, light weight, high efficiency, low noise, and high reliability, etc. It is widely used in the hydraulic system and hydraulic power unit. Both clockwise and counterclockwise direction pump are available.



型号说明 Model code



外形尺寸 Installation Dimensions



技术参数 Technical Data

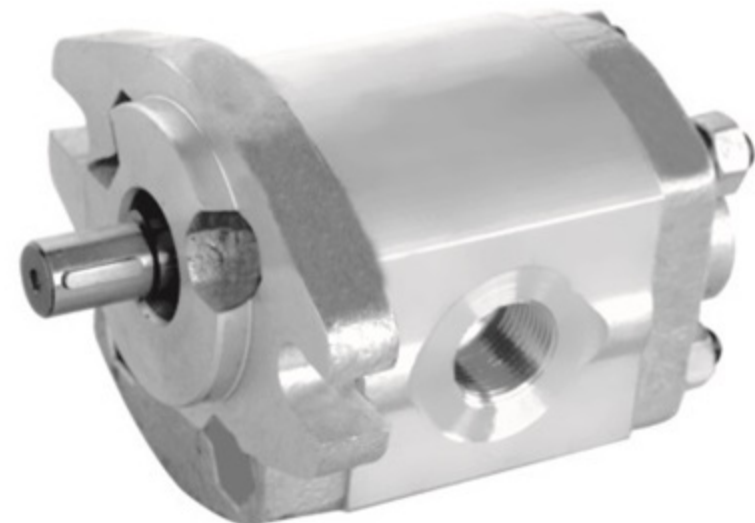
型号 Model	公称排量 Disp. (ml/r)	压力 Pressure (MPa)		转速 Speed (r/min)		尺寸 Diminon		进油口 Inlet A	出油口 Outlet B
		额定 Rated	最高 Max.	额定 Rated	最高 Max.	H (mm)	L (mm)		
CBT1-F202.1	2.1	20	25	2000	3600	39.25	84.5	NPT3/8 M20 x 1.5	NPT3/8 M20 x 1.5
CBT1-F202.5	2.5	20	25	2000	3600	40.25	86.5		
CBT1-F203.2	3.2	20	25	2000	3600	41.5	89		
CBT1-F204.2	4.2	20	25	2000	3600	43.5	93		
CBT1-F204.8	4.8	20	25	2000	3600	44.75	95.5		
CBT1-F205.8	5.8	20	25	2000	3600	46.75	99.5		

CBT1-F2***B2 系列齿轮泵

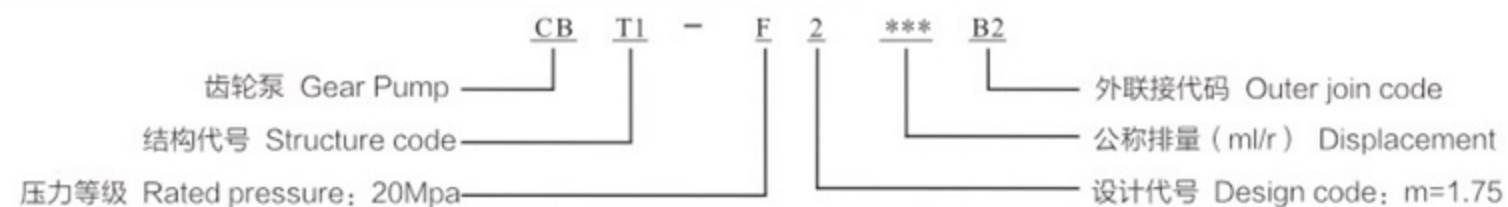
简介 General Description

CBT1-F2***B2系列齿轮泵属于中高压齿轮泵，是液压系统中的动力元件，采用高精度齿轮，高强度铝合金壳体，浮动轴套及DU衬套，具有结构简单，重量轻，使用可靠等优点，广泛应用于广泛应用于机床、劈木机等中小型液压系统。该系列泵具有左旋(逆时针)、右旋(顺时针)两种旋向。

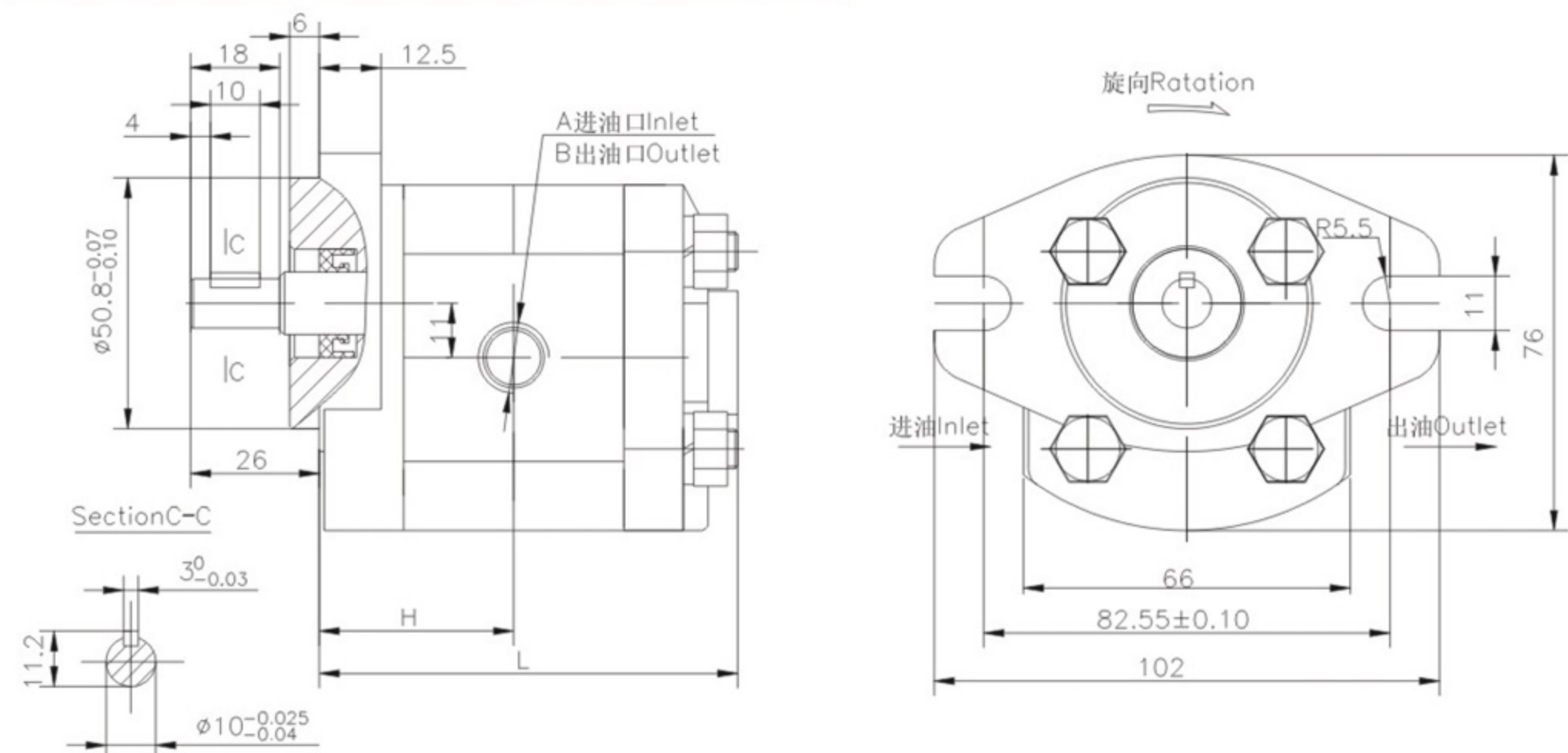
CBT1-F2***B2 series gear pump is dynamic component of the hydraulic system. It features high precision gears, high strength aluminum-alloy shell, float bushings, and DU bearings. It has the characteristics of simple structure, light weight, high efficiency, low noise, and high reliability, etc. It is widely used in the hydraulic system and hydraulic power unit. Both clockwise and counterclockwise direction pump are available.



型号说明 Model code



外形尺寸 Installation Dimensions



技术参数 Technical Data

型号 Model	公称排量 Disp. (ml/r)	压力 Pressure (MPa)		转速 Speed (r/min)		尺寸 Diminision		进油口 Inlet A	出油口 Outlet B
		额定 Rated	最高 Max.	额定 Rated	最高 Max.	H (mm)	L (mm)		
CBT1-F202.1	2.1	20	25	2000	3600	39.25	84.5	3/4-16 UNF	9/16-18 UNF
CBT1-F202.5	2.5	20	25	2000	3600	40.25	86.5		
CBT1-F203.2	3.2	20	25	2000	3600	41.5	89		
CBT1-F204.2	4.2	20	25	2000	3600	43.5	93		
CBT1-F204.8	4.8	20	25	2000	3600	44.75	95.5		
CBT1-F205.8	5.8	20	25	2000	3600	46.75	99.5		

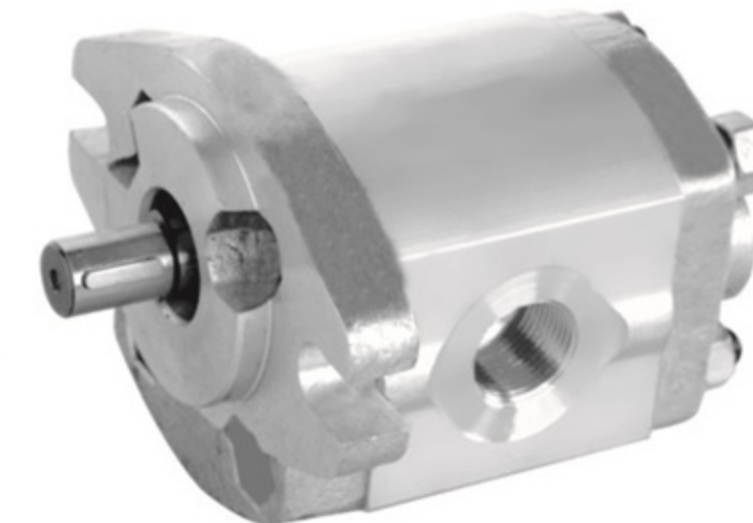
科技造福生活

CBT1-F2***B3 系列齿轮泵

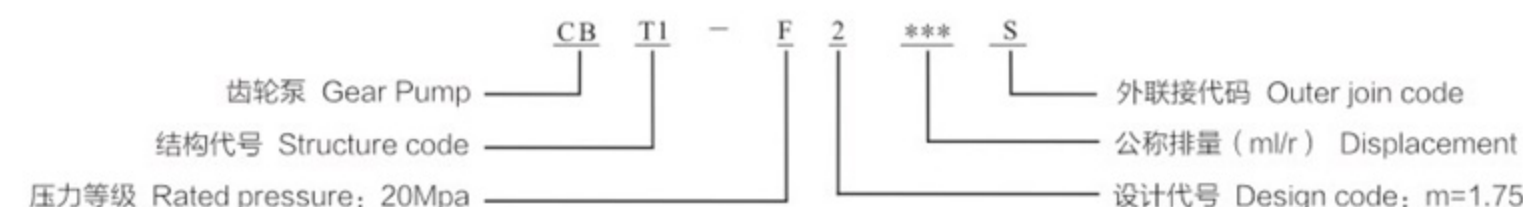
简介 General Description

CBT1-F2***B3系列齿轮泵属于中高压齿轮泵，是液压系统中的动力元件，采用高精度齿轮，高强度铝合金壳体，浮动轴套及DU衬套，具有结构简单，重量轻，使用可靠等优点，广泛应用于广泛应用于机床、劈木机等中小型液压系统。该系列泵具有左旋、右旋两种旋向。

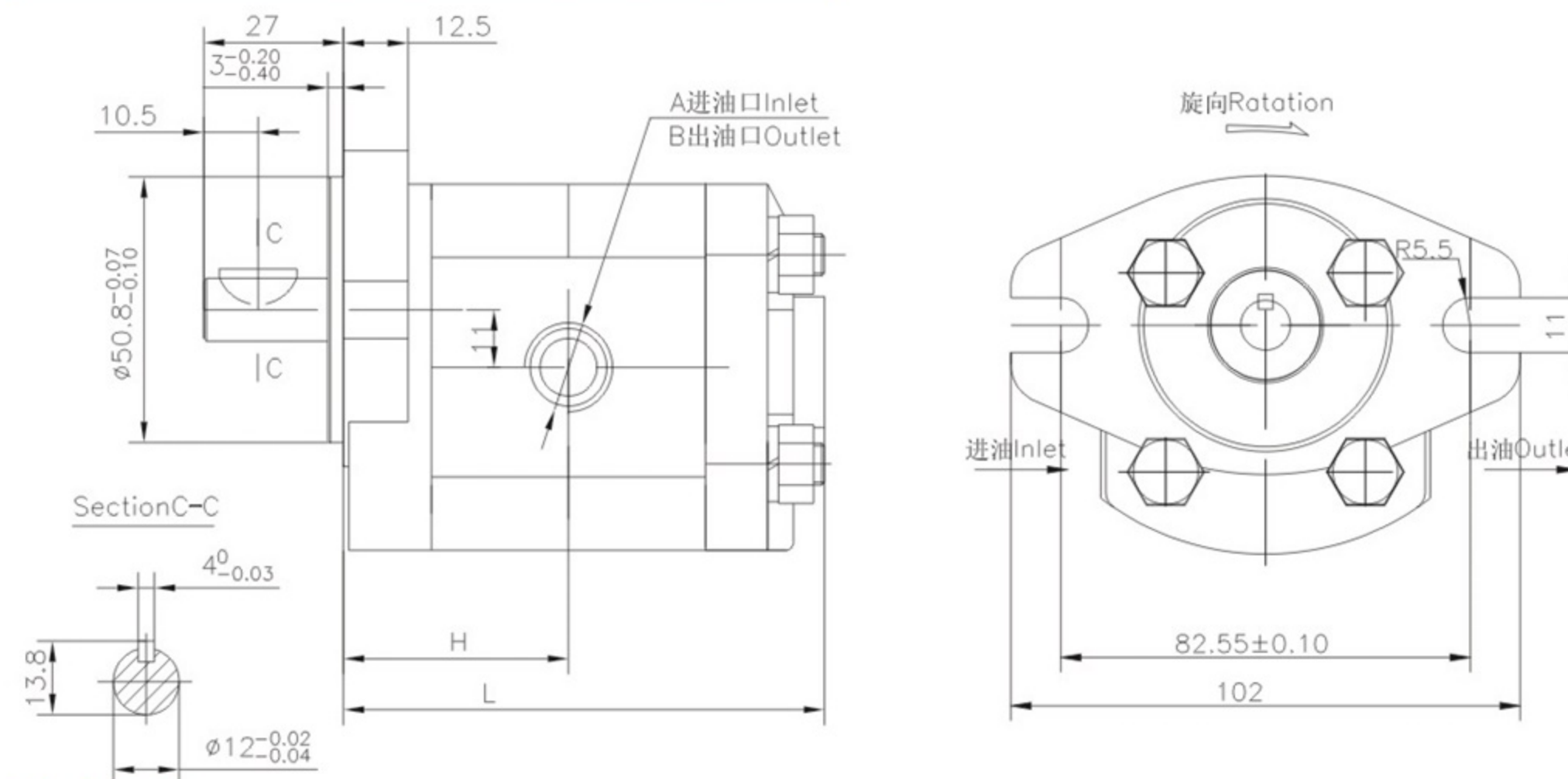
CBT1-F2***B3 series gear pump is dynamic component of the hydraulic system. It features high precision gears, high strength aluminum-alloy shell, float bushings, and DU bearings. It has the characteristics of simple structure, light weight, high efficiency, low noise, and high reliability, etc. It is widely used in the hydraulic system and hydraulic power unit. Both clockwise and counterclockwise direction pump are available.



型号说明 Model code



外形尺寸 Installation Dimensions



技术参数 Technical Data

型号 Model	公称排量 Disp. (ml/r)	压力 Pressure (MPa)		转速 Speed (r/min)		尺寸 Diminision		进油口 Inlet A	出油口 Outlet B
		额定 Rated	最高 Max.	额定 Rated	最高 Max.	H (mm)	L (mm)		
CBT1-F202.1	2.1	20	25	2000	3600	39.25	84.5	RC3/8	RC3/8
CBT1-F202.5	2.5	20	25	2000	3600	40.25	86.5		
CBT1-F203.2	3.2	20	25	2000	3600	41.5	89		
CBT1-F204.2	4.2	20	25	2000	3600	43.5	93		
CBT1-F204.8	4.8	20	25	2000	3600	44.75	95.5		
CBT1-F205.8	5.8	20	25	2000	3600	46.75	99.5		

CBT2-F2***系列齿轮泵

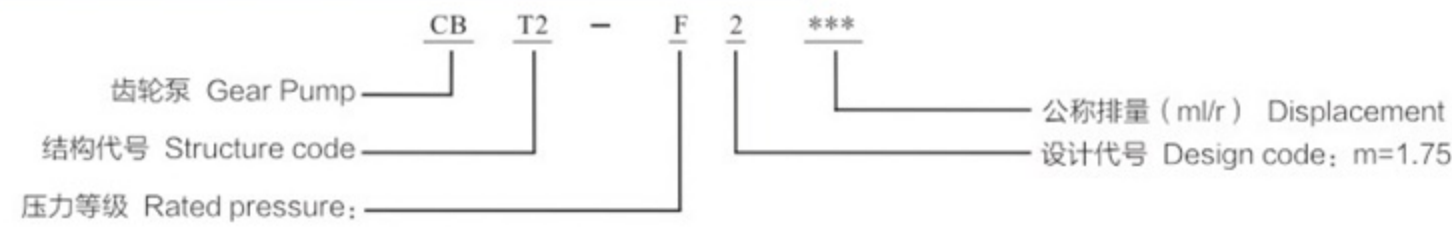
简介 General Description

CBT2-F2***系列齿轮泵属于中高压齿轮泵，是液压系统中的动力元件，采用高精度齿轮，高强度铝合金壳体，浮动轴套及DU衬套，具有结构简单，重量轻，使用可靠等优点，广泛应用于应用于机床、劈木机等中小型液压系统。该系列泵有左旋旋向。

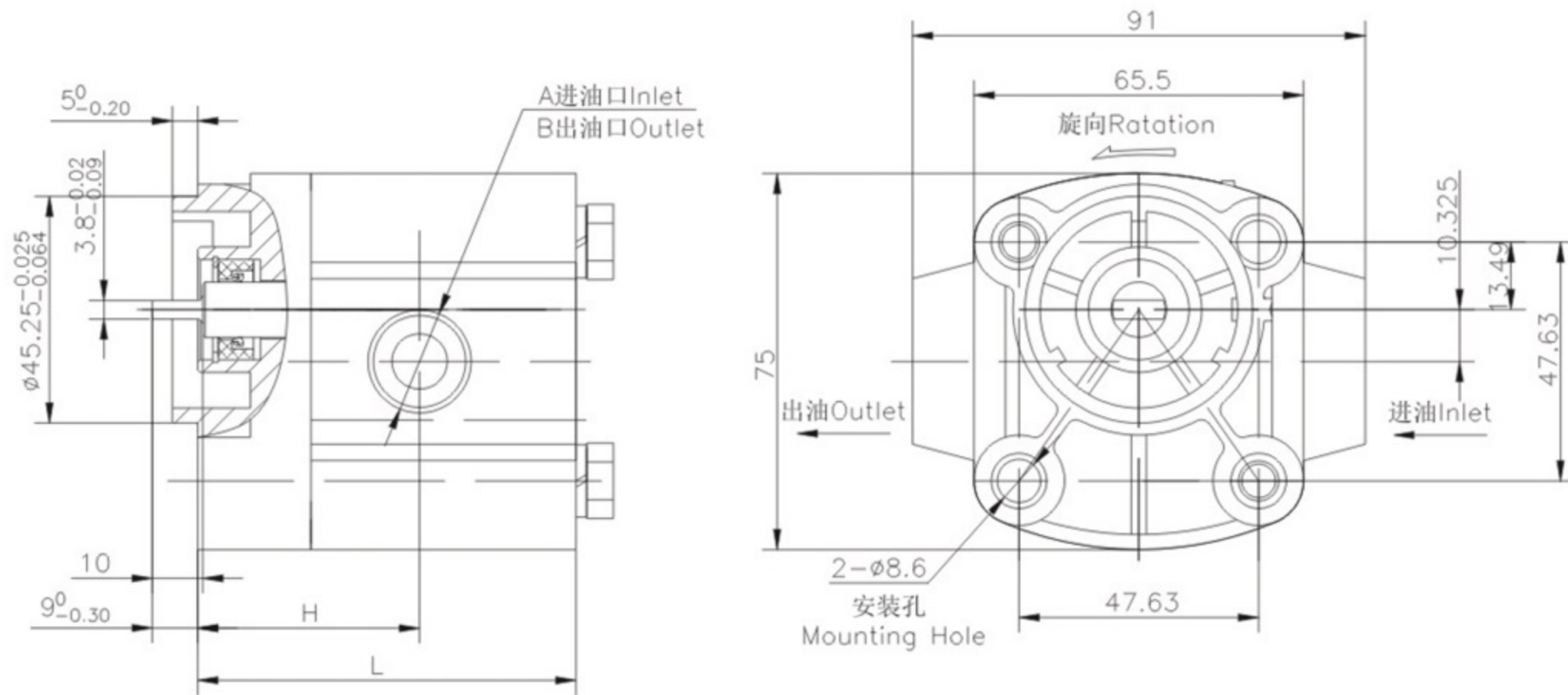
CBT2-F2*** series gear pump is dynamic component of the hydraulic system. It features high precision gears, high strength aluminum-alloy shell, float bushings, and DU bearings. It has the characteristics of simple structure, light weight, high efficiency, low noise, and high reliability, etc. It is widely used in the hydraulic system and hydraulic power unit. Counterclockwise direction pump are available.



型号说明 Model code



外形尺寸 Installation Dimensions



技术参数 Technical Data

型号 Model	公称排量 Disp. (ml/r)	压力 Pressure (MPa)		转速 Speed (r/min)		尺寸 Dimention		进油口 Inlet A	出油口 Outlet B
		额定 Rated	最高 Max.	额定 Rated	最高 Max.	H (mm)	L (mm)		
CBT2-F200.8	0.8	20	25	1500	3000	71.5	42.3	NPT1/2 M18 x 1.5	NPT1/2 M18 x 1.5
CBT2-F201.2	1.2	20	25	1500	3000	73	43		
CBT2-F201.7	1.7	20	25	1500	3000	75	44		
CBT2-F202.1	2.1	20	25	1500	3000	76.5	44.8		
CBT2-F202.5	2.5	20	25	1500	3000	78.5	45.8		
CBT2-F203.2	3.2	20	25	1500	3000	81	47		

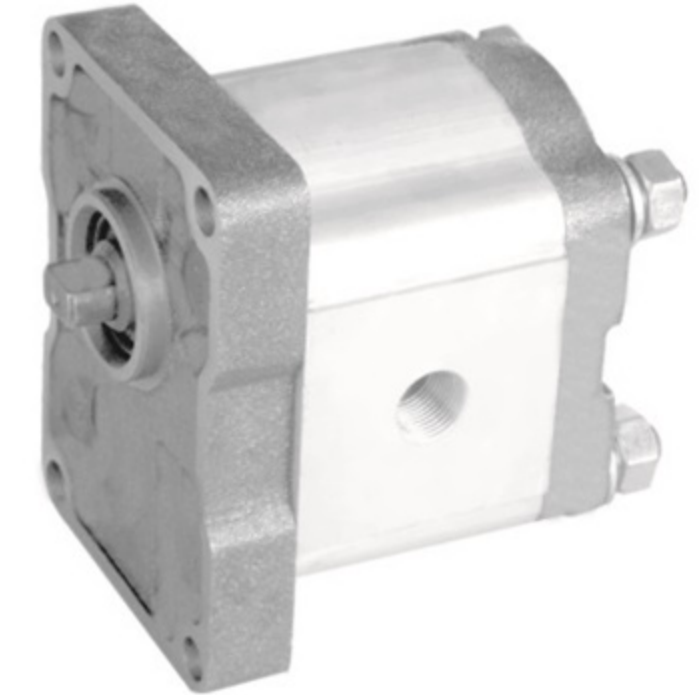
科技造福生活

CBN-F3**系列齿轮泵

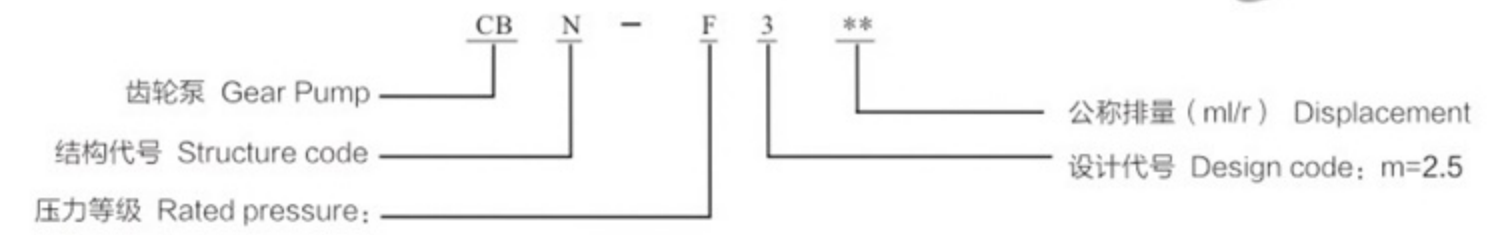
简介 General Description

CBN-F3**系列齿轮泵是液压系统的动力元件，泵是三片式结构，采用轴向间隙自动补偿装置。配有DU轴承和强度铸铁盖。具有结构简单、工作可靠、使用寿命长等特点。广泛应用于工程机械、起重机械、运输机械、农业机械液压系统中。该系列泵具有左旋、右旋两种旋向。

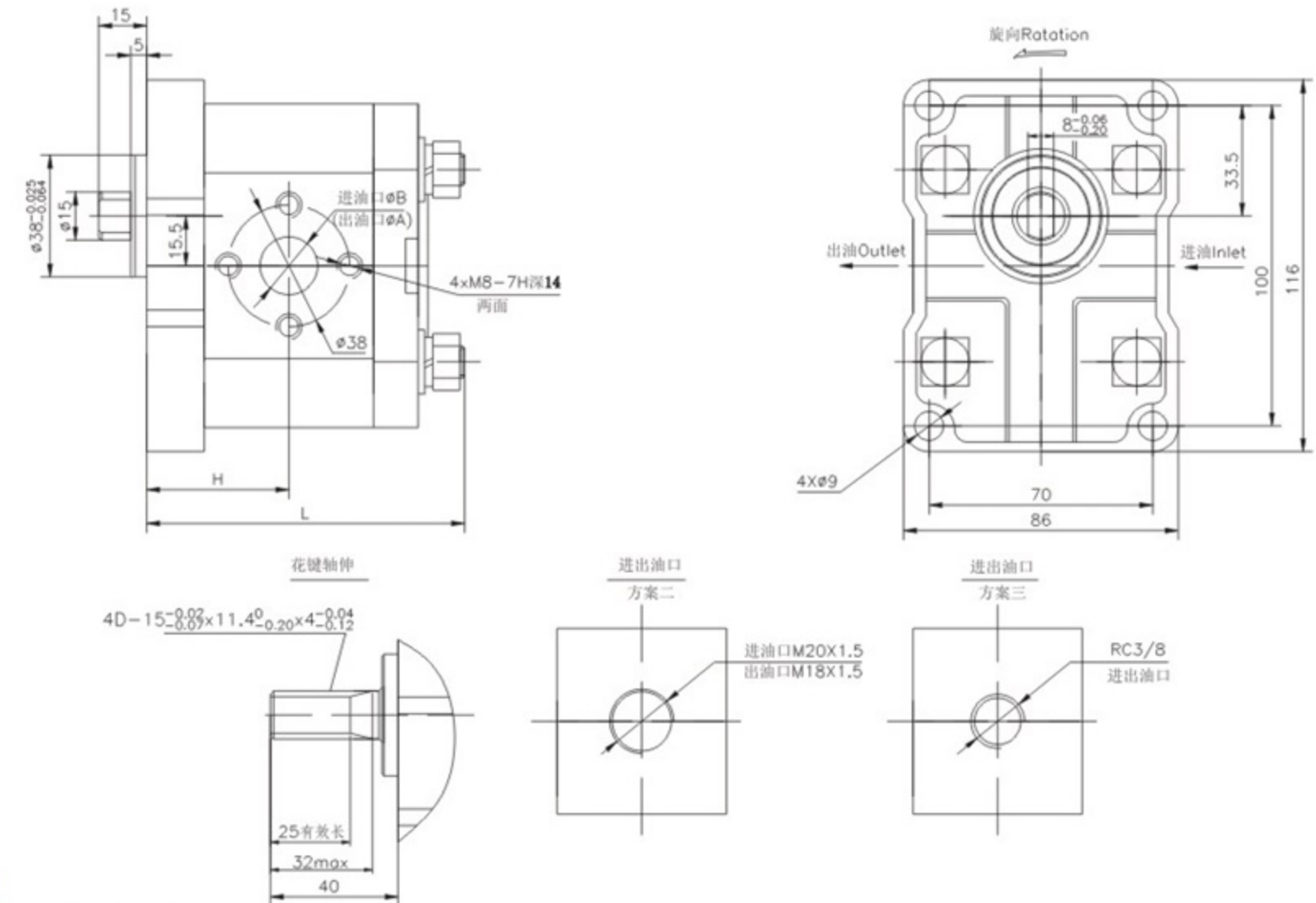
CBN-F3** series gear pump is dynamic component of the hydraulic system. The pump is three sheet type structure and adopts axial clearance automatic compensation device. It is equipped with DU bearing and strength cast iron cover. It has characteristic of simple structure, reliable work and long service life, etc. It is widely used in the hydraulic system of engineering machinery hoist and transport machinery and agriculture machinery. Both clockwise and counterclockwise direction pump are available.



型号说明 Model code



外形尺寸 Installation Dimensions



技术参数 Technical Data

型号 Model	公称排量 Disp. (ml/r)	压力 Pressure (MPa)		转速 Speed (r/min)		尺寸 Dimention		进油口 Inlet A	出油口 Outlet B
		额定 Rated	最高 Max.	额定 Rated	最高 Max.	H (mm)	L (mm)		
CBN-F306	6	20	25	2000	3000	43	96	14	10
CBN-F308	8	20	25	2000	3000	44.5	99		
CBN-F310	10	20	25	2000	3000	46.25	103		
CBN-F312	12	20	25	2000	3000	48	106	18	14
CBN-F314	14	20	25	2000	3000	49.5	108		
CBN-F316	16	20	25	2000	3000	51	112		
CBN-F318	18	20	25	2000	3000	53	116		
CBN-F320	20	20	25	2000	3000	54.5	120		

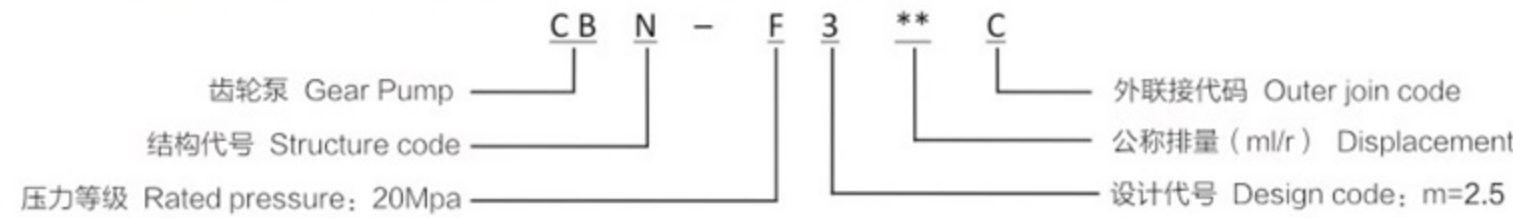
简介 General Description

CBN-F3**C系列齿轮泵是液压系统的动力元件，泵是三片式结构，采用轴向间隙自动补偿装置。配有DU轴承和强度铸铁盖。具有结构简单、工作可靠、使用寿命长等特点。广泛应用于工程机械、起重机械、运输机械、农业机械液压系统中。该系列泵具有左旋、右旋两种旋向。

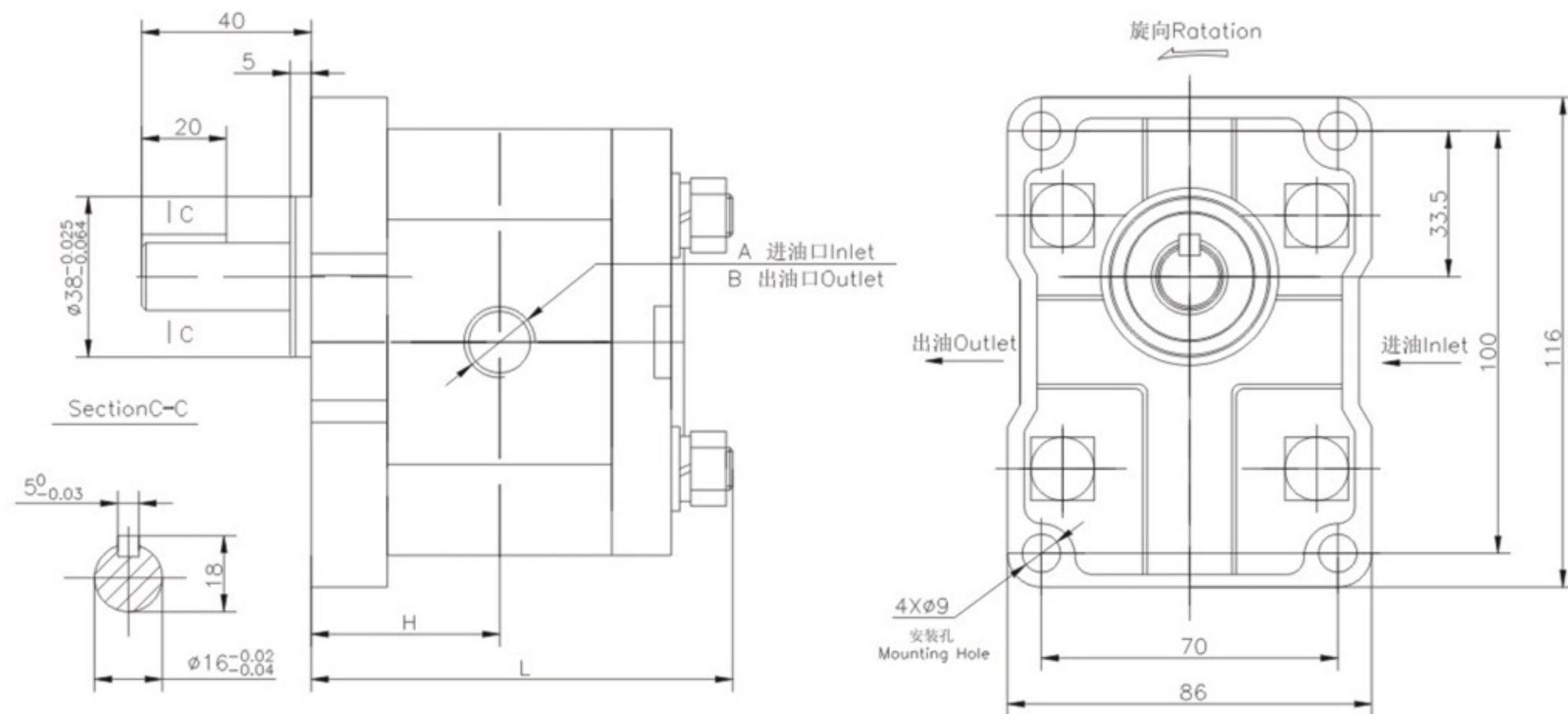
CBN-3**C series gear pump is dynamic component of the hydraulic system. The pump is three sheet type structure and adopts axial clearance automatic compensation device. It is equipped with DU bearing and strength cast iron cover. It has characteristic of simple structure, reliable work and long service life, etc. It is widely used in the hydraulic system of engineering machinery hoist and transport machinery and agriculture machinery.

Both clockwise and counterclockwise direction pump are available.

型号说明 Model code



外形尺寸 Installation Dimensions



技术参数 Technical Data

型号 Model	公称 排量 Disp. (ml/r)	压力 Pressure (MPa)		转速 Speed (r/min)		尺寸 Diminision		进油口 Inlet A	出油口 Outlet B
		额定 Rated	最高 Max.	额定 Rated	最高 Max.	H (mm)	L (mm)		
CBN-F306	6	20	25	2000	3000	43	96	M20 × 1.5	M18 × 1.5
CBN-F308	8	20	25	2000	3000	44.5	99		
CBN-F310	10	20	25	2000	3000	46.25	103		
CBN-F312	12	20	25	2000	3000	48	106		
CBN-F314	14	20	25	2000	3000	49.5	108		
CBN-F316	16	20	25	2000	3000	51	112		
CBN-F318	18	20	25	2000	3000	53	116		
CBN-F320	20	20	25	2000	3000	54.5	120		

科技造福生活

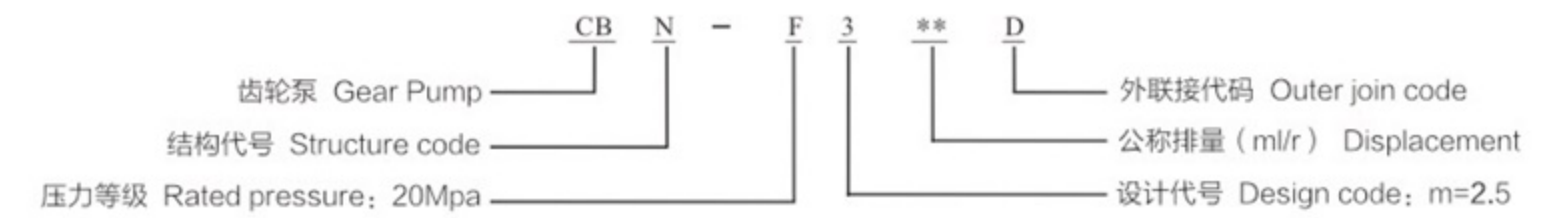
简介 General Description

CBN-F3**D系列齿轮泵是液压系统的动力元件，泵是三片式结构，采用轴向间隙自动补偿装置。配有DU轴承和强度铸铁盖。具有结构简单、工作可靠、使用寿命长等特点。广泛应用于工程机械、起重机械、运输机械、农业机械液压系统中。该系列泵具有左旋、右旋两种旋向。

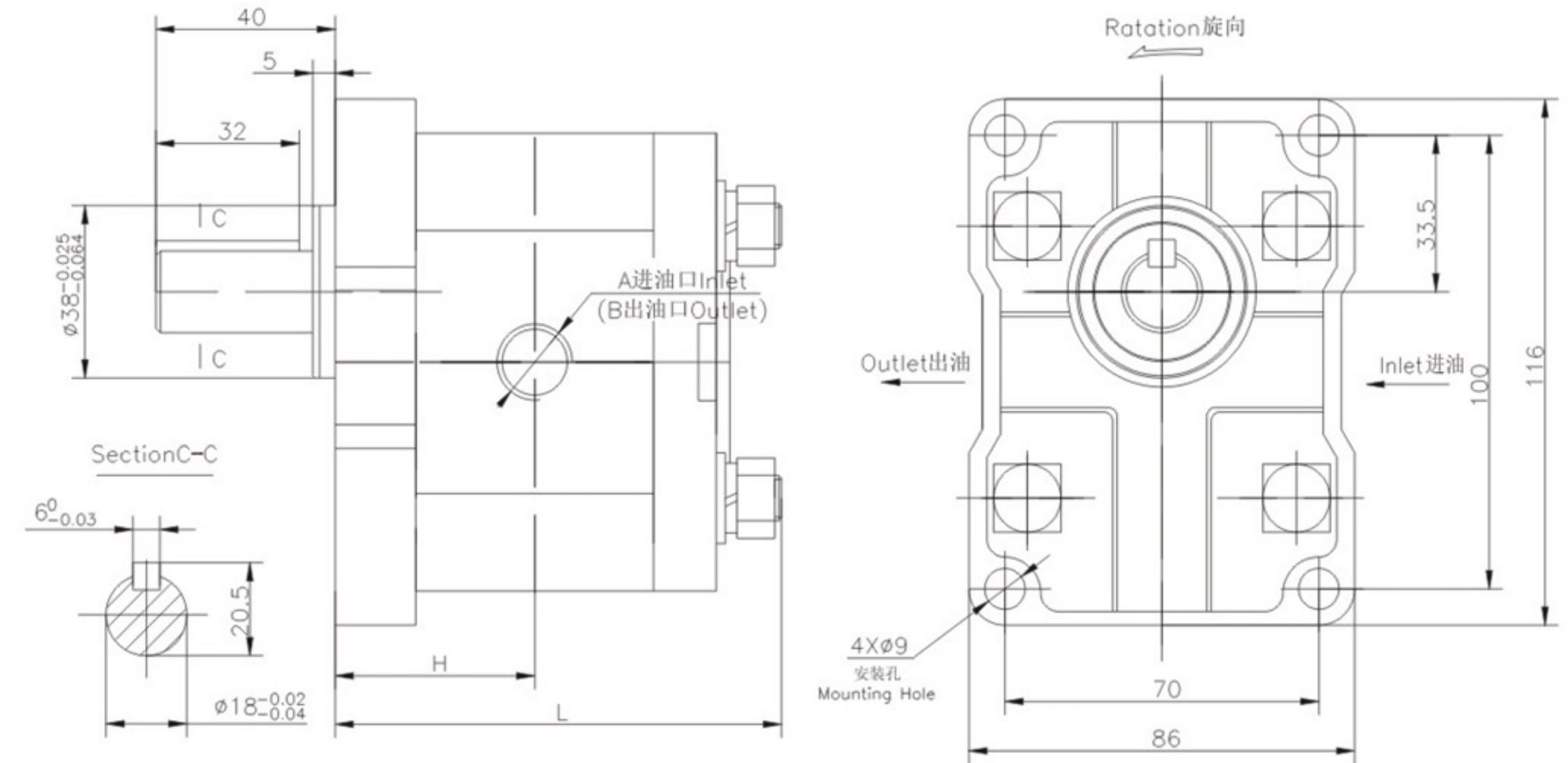
CBN-3**D series gear pump is dynamic component of the hydraulic system. The pump is three sheet type structure and adopts axial clearance automatic compensation device. It is equipped with DU bearing and strength cast iron cover. It has characteristic of simple structure, reliable work and long service life, etc. It is widely used in the hydraulic system of engineering machinery hoist and transport machinery and agriculture machinery.

Both clockwise and counterclockwise direction pump are available.

型号说明 Model code



外形尺寸 Installation Dimensions



技术参数 Technical Data

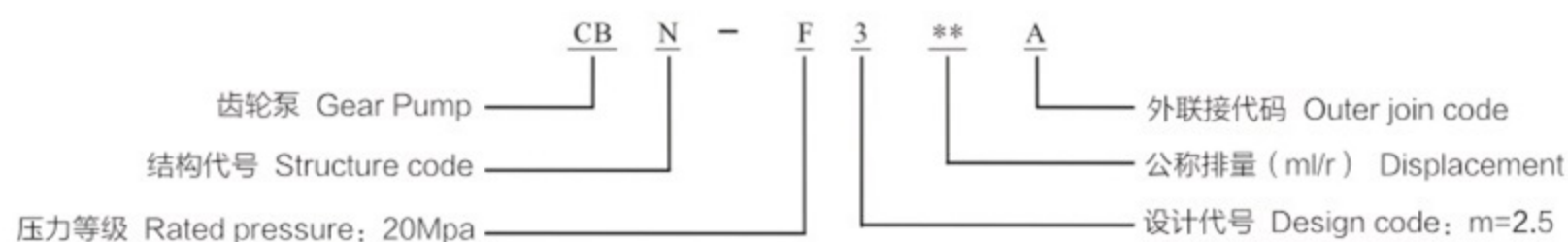
型号 Model	公称 排量 Disp. (ml/r)	压力 Pressure (MPa)		转速 Speed (r/min)		尺寸 Diminision		进油口 Inlet A	出油口 Outlet B
		额定 Rated	最高 Max.	额定 Rated	最高 Max.	H (mm)	L (mm)		
CBN-F300	10	20	25	2000	3000	46.25	103	RC1/2	RC1/2
CBN-F312	12	20	25	2000	3000	48	106		
CBN-F314	14	20	25	2000	3000	49.5	108		
CBN-F316	16	20	25	2000	3000	51	112		
CBN-F318	18	20	25	2000	3000	53	116		
CBN-F320	20	20	25	2000	3000	54.5	120		

CBN-F3** A系列齿轮泵

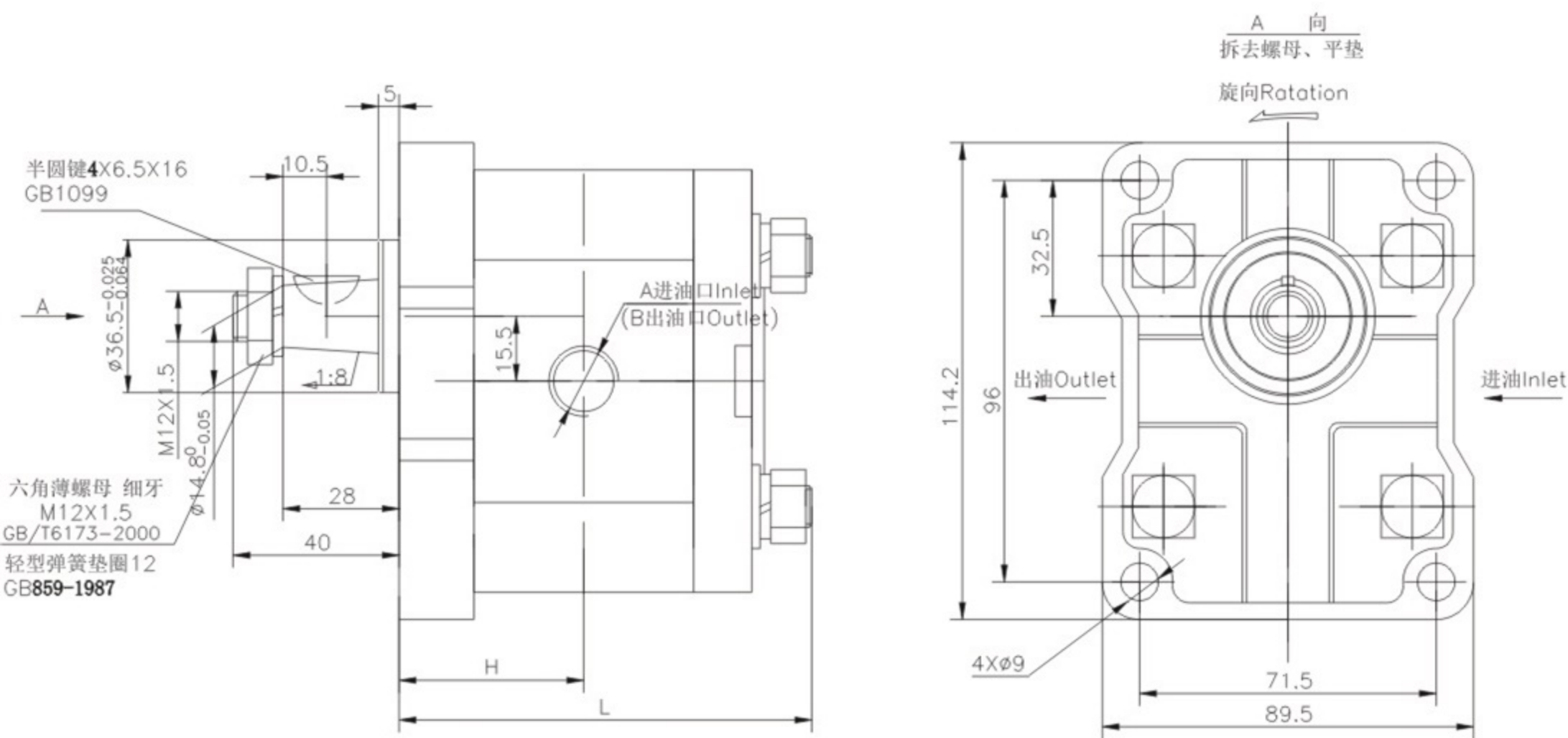
CBN-F3**A系列齿轮泵是液压系统的动力元件，泵是三片式结构，采用轴向间隙自动补偿装置。配有DU轴承和强度铸铁盖。具有结构简单、工作可靠、使用寿命长等特点。广泛应用于工程机械、起重机械、运输机械、农业机械液压系统中。该系列泵具有左旋、右旋两种旋向。

CBN-F3**A series gear pump is dynamic component of the hydraulic system .The pump is three sheet type structure and adopts axial clearance automatic compensation device. It is equipped with DU bearing and strength cast iron cover. It is has characteristic of simple structure, reliable work and long service life , etc . It is widely used in the hydraulic system of engineering machinery hoist and transport machinery and agriculture machinery. Both clockwise and counterclockwise direction pump are available.

型号说明 Model code



外形尺寸 Installation Dimensions



技术参数 Technical Data

型号 Model	公称排量 Disp. (ml/r)	压力 Pressure (MPa)		转速 Speed (r/min)		尺寸 Diminsion		进油口 Inlet A	出油口 Outlet B
		额定 Rated	最高 Max.	额定 Rated	最高 Max.	H (mm)	L (mm)		
CBN-F306	6	20	25	2000	3000	43	96	RC1/2	RC1/2
CBN-F308	8	20	25	2000	3000	44.5	99		
CBN-F310	10	20	25	2000	3000	46.25	103		
CBN-F312	12	20	25	2000	3000	48	106		
CBN-F314	14	20	25	2000	3000	49.5	108		
CBN-F316	16	20	25	2000	3000	51	112	RC3/4	RC1/2
CBN-F318	18	20	25	2000	3000	53	116		
CBN-F320	20	20	25	2000	3000	54.5	120		

科技造福生活

CBN1-F3**D 系列齿轮泵

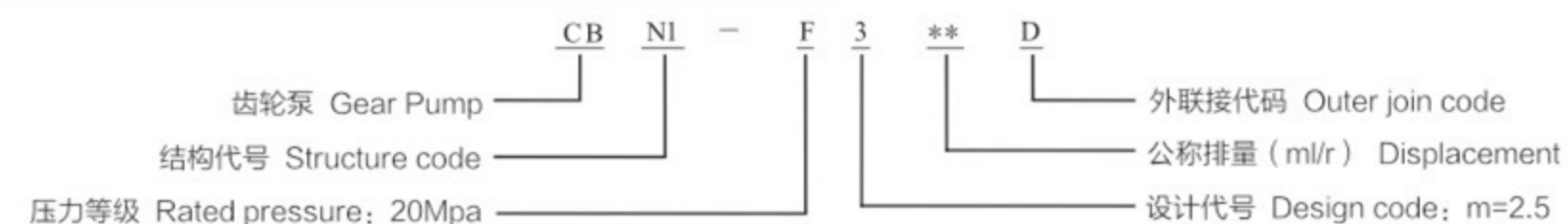
简介 General Description

CBN1-F3**D系列齿轮泵是液压系统的动力元件，泵是三片式结构，采用轴向间隙自动补偿装置。配有DU轴承和强度铸铁盖。具有结构简单、工作可靠、使用寿命长等特点。广泛应用于工程机械、起重机械、运输机械、农业机械液压系统中。该系列泵具有左旋、右旋两种旋向。

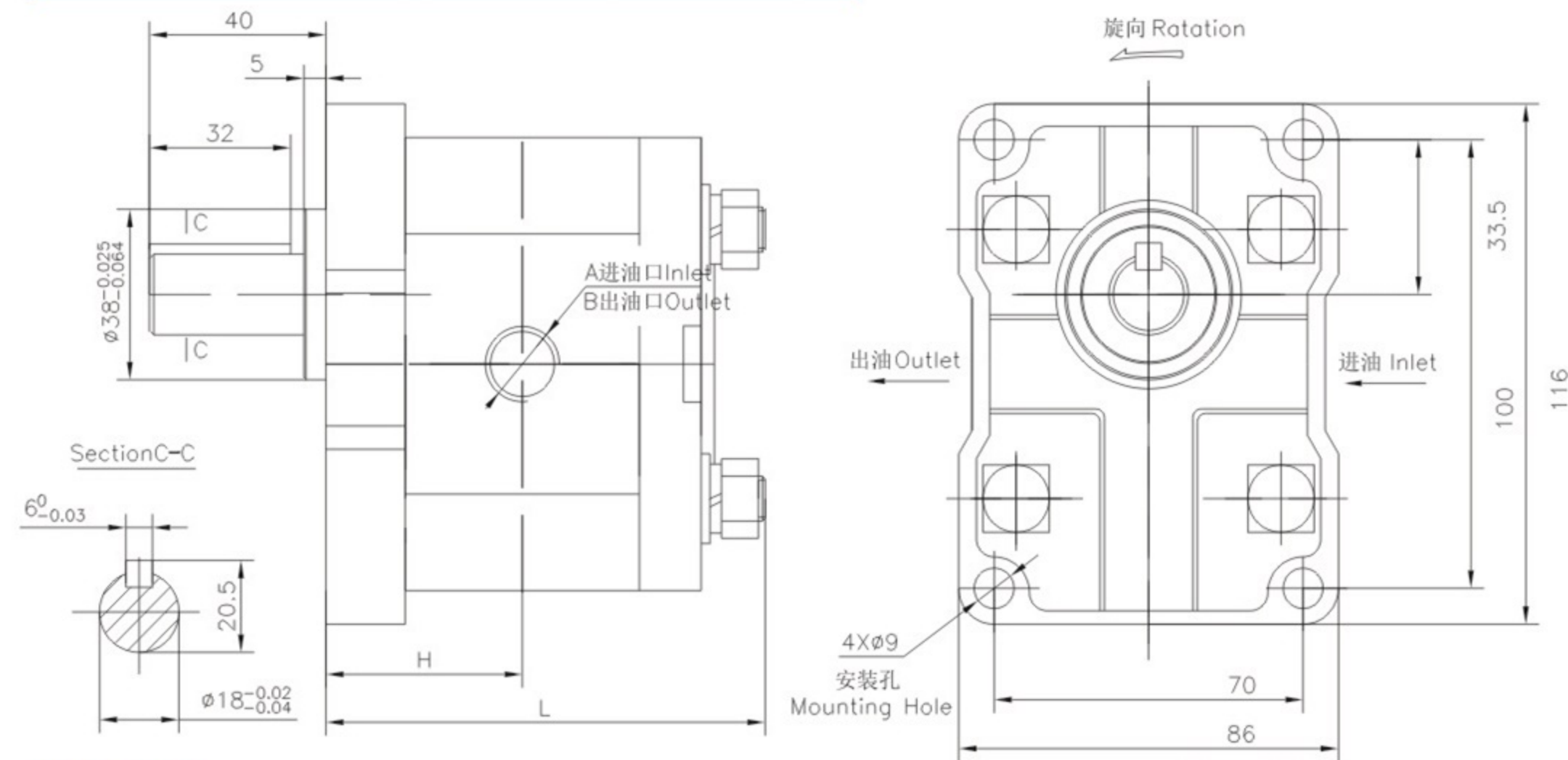
CBN1-F3**D series gear pump is dynamic component of the hydraulic system .The pump is three sheet type structure and adopts axial clearance automatic compensation device. It is equipped with DU bearing and strength cast iron cover. It is has characteristic of simple structure, reliable work and long service life , etc . It is widely used in the hydraulic system of engineering machinery hoist and transport machinery and agriculture machinery. Both clockwise and counterclockwise direction pump are available.

Both clockwise and counterclockwise direction pump are available.

型号说明 Model code



外形尺寸 Installation Dimensions



技术参数 Technical Data

型号 Model	公称排量 Disp. (ml/r)	压力 Pressure (MPa)		转速 Speed (r/min)		尺寸 Diminsion		进油口 Inlet A	出油口 Outlet B
		额定 Rated	最高 Max.	额定 Rated	最高 Max.	H (mm)	L (mm)		
CBN1-F310	10	20	25	2000	3000	46.25	103	RC1/2	RC1/2
CBN1-F312	12	20	25	2000	3000	48	106		
CBN1-F314	14	20	25	2000	3000	49.5	108		
CBN1-F316	16	20	25	2000	3000	51	112		
CBN1-F318	18	20	25	2000	3000	53	116		
CBN1-F320	20	20	25	2000	3000	54.5	120	RC3/4	RC1/2
CBN1-F322	22	20	25	2000	3000	56	125		
CBN1-F325	25	16	20	2000	3000	58.5	133		
CBN1-F328	28	16	20	2000	3000	61	138		

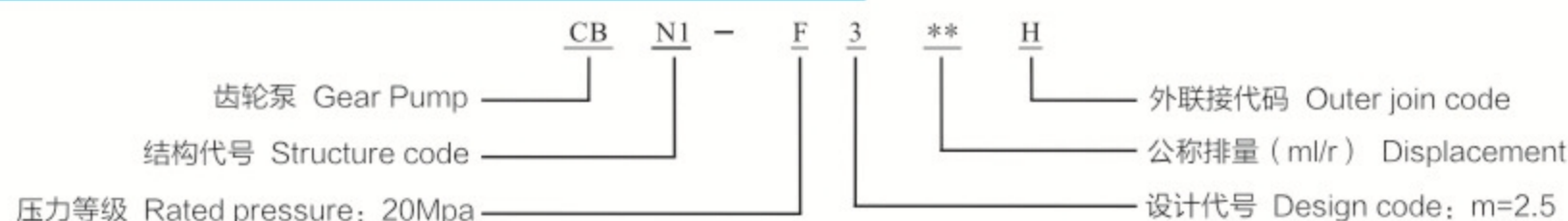
简介 General Description

CBN1-F3**H系列齿轮泵是液压系统的动力元件，泵是三片式结构，采用轴向间隙自动补偿装置。配有DU轴承和强度铸铁盖。具有结构简单、工作可靠、使用寿命长等特点。广泛应用于工程机械、起重机械、运输机械、农业机械液压系统中。该系列泵具有左旋、右旋两种旋向。

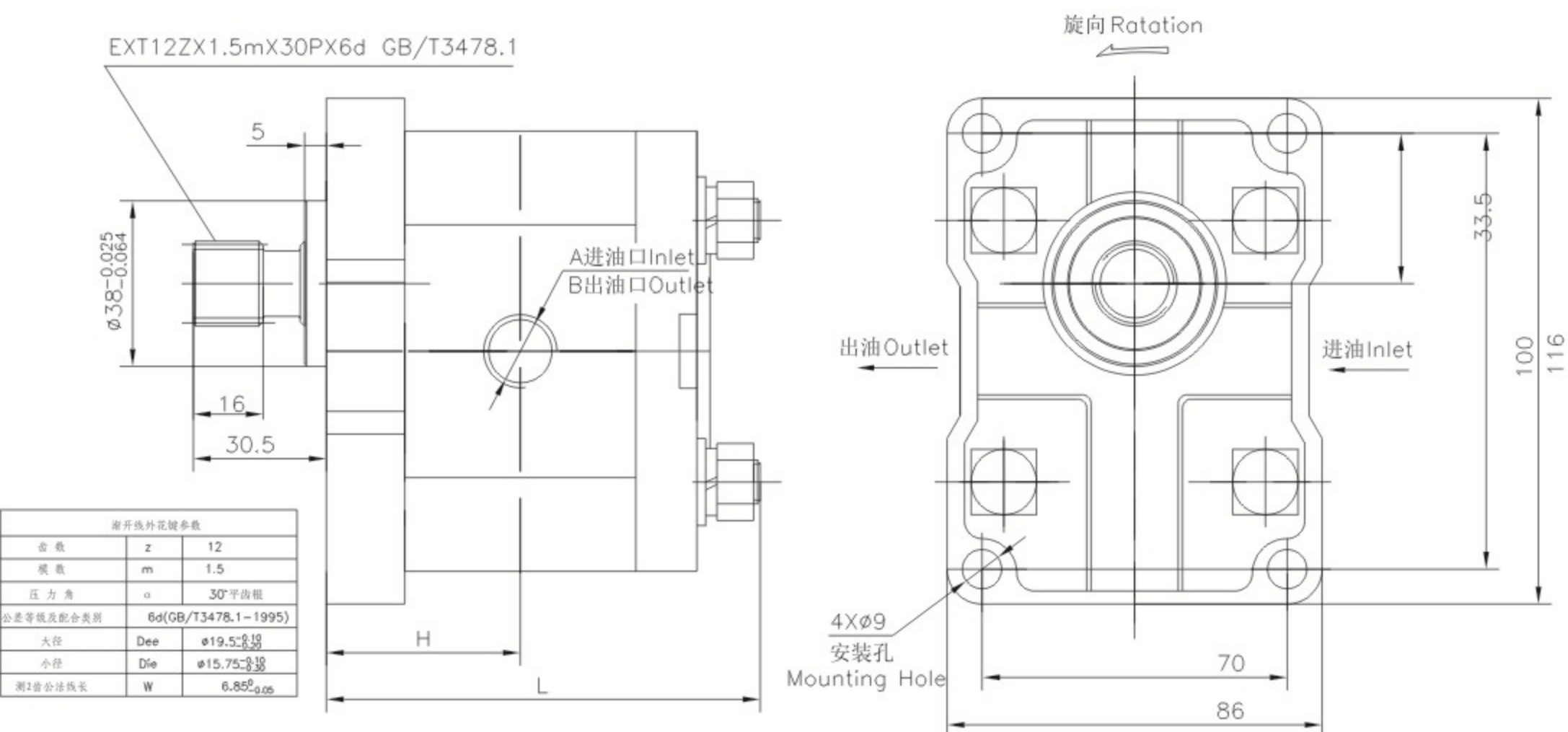
CBN1-3**H series gear pump is dynamic component of the hydraulic system. The pump is three sheet type structure and adopts axial clearance automatic compensation device. It is equipped with DU bearing and strength cast iron cover. It has characteristic of simple structure, reliable work and long service life, etc. It is widely used in the hydraulic system of engineering machinery hoist and transport machinery and agriculture machinery.

Both clockwise and counterclockwise direction pump are available.

型号说明 Model code



外形尺寸 Installation Dimensions



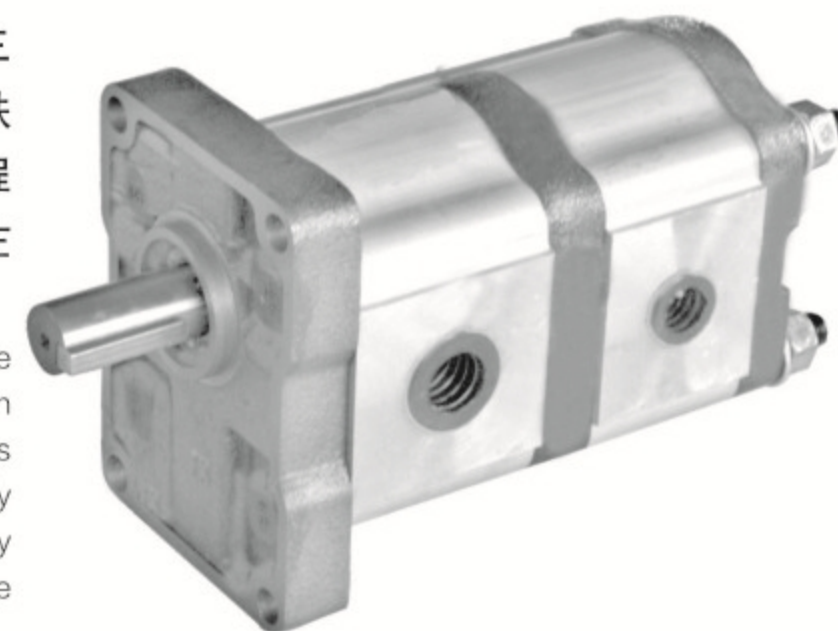
技术参数 Technical Data

型号 Model	公称排量 Disp. (ml/r)	压力 Pressure (MPa)		转速 Speed (r/min)		尺寸 Dimention		进油口 Inlet A	出油口 Outlet B
		额定 Rated	最高 Max.	额定 Rated	最高 Max.	H (mm)	L (mm)		
CBN1-F310	10	20	25	2000	3000	46.25	103	RC1/2	RC1/2
CBN1-F312	12	20	25	2000	3000	48	106		
CBN1-F314	14	20	25	2000	3000	49.5	108		
CBN1-F316	16	20	25	2000	3000	51	112		
CBN1-F318	18	20	25	2000	3000	53	116		
CBN1-F320	20	20	25	2000	3000	54.5	120	RC3/4	RC1/2
CBN1-F322	22	20	25	2000	3000	56	125		

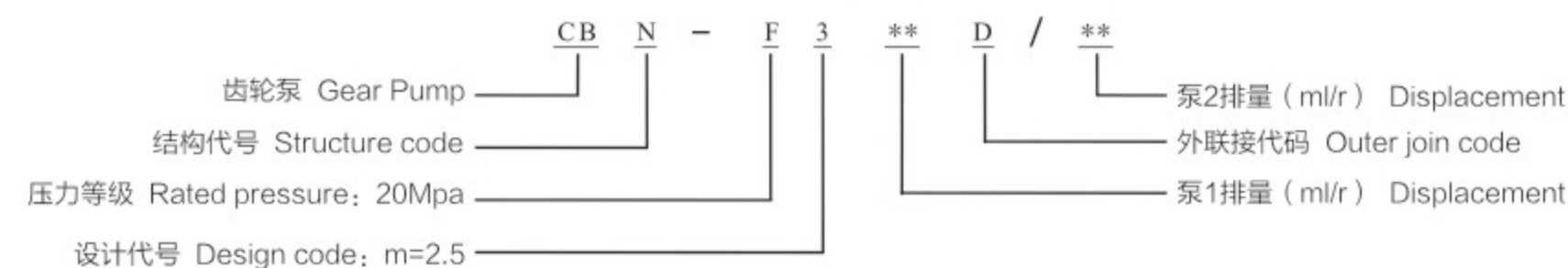
简介 General Description

CBN-F3**D/**系列双联齿轮泵是液压系统的动力元件，泵是三片式结构，采用轴向间隙自动补偿装置。配有DU轴承和强度铸铁盖。具有结构简单、工作可靠、使用寿命长等特点。广泛应用于工程机械、起重机械、运输机械、农业机械液压系统中。该系列泵具有左旋、右旋两种旋向。

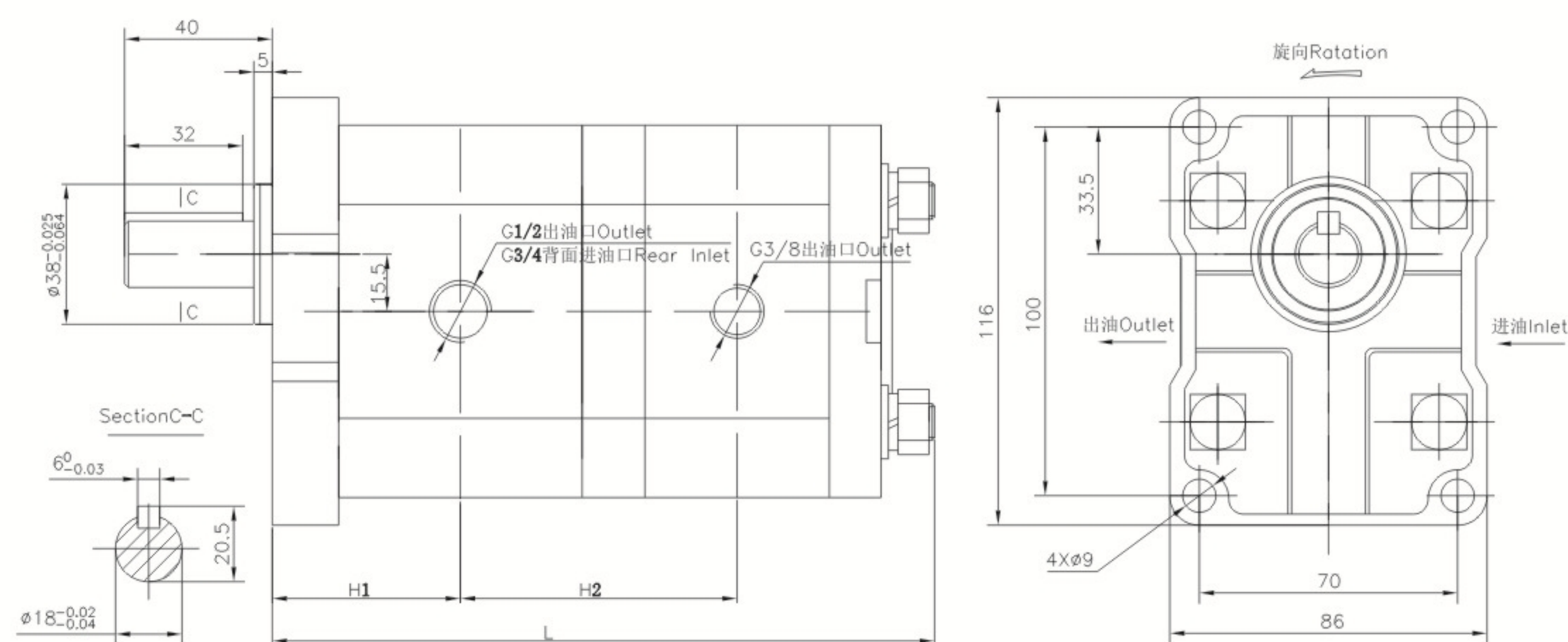
CBN-3**D/**series gear pump is dynamic component of the hydraulic system. The pump is three sheet type structure and adopts axial clearance automatic compensation device. It is equipped with DU bearing and strength cast iron cover. It is has characteristic of simple structure, reliable work and long service life, etc. It is widely used in the hydraulic system of engineering machinery hoist and transport machinery and agriculture machinery. Both clockwise and counterclockwise direction pump are available.



型号说明 Model code



外形尺寸 Installation Dimensions



技术参数 Technical Data

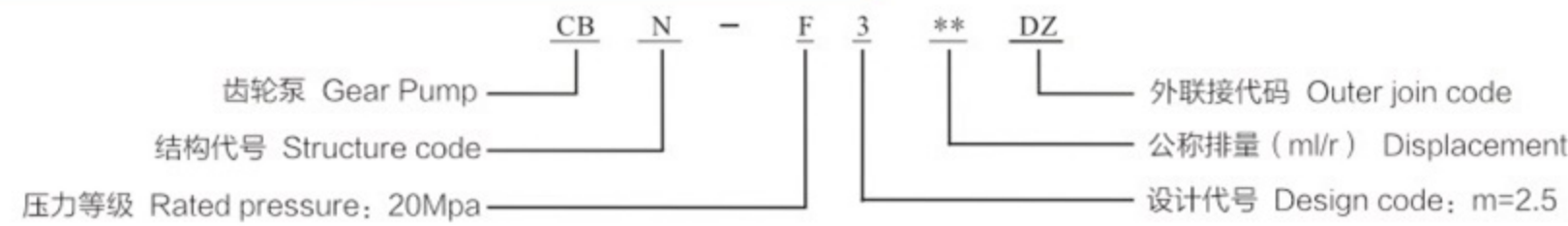
型号 Model	排量 Displacement (ml/r)		压力 Pressure (MPa)		转速 Speed (r/min)		尺寸 Dimention		
	第一联泵 First Pump	第二联泵 Second Pump	额定 Rated	最高 Max.	额定 Rated	最高 Max.	L (mm)	H1 (mm)	H2 (mm)
CBN-F310D/05	10	5	20	25	2000	3000	173	46.25	69.5
CBN-F312D/05	12	5	20	25	2000	3000	173	48	71.25
CBN-F318D/06	18	6	20	25	2000	3000	184	53	77
CBN-F320D/10	20	10	20	25	2000	3000	193.5	54.5	81.75

CBN-F3**DZ 系列齿轮泵

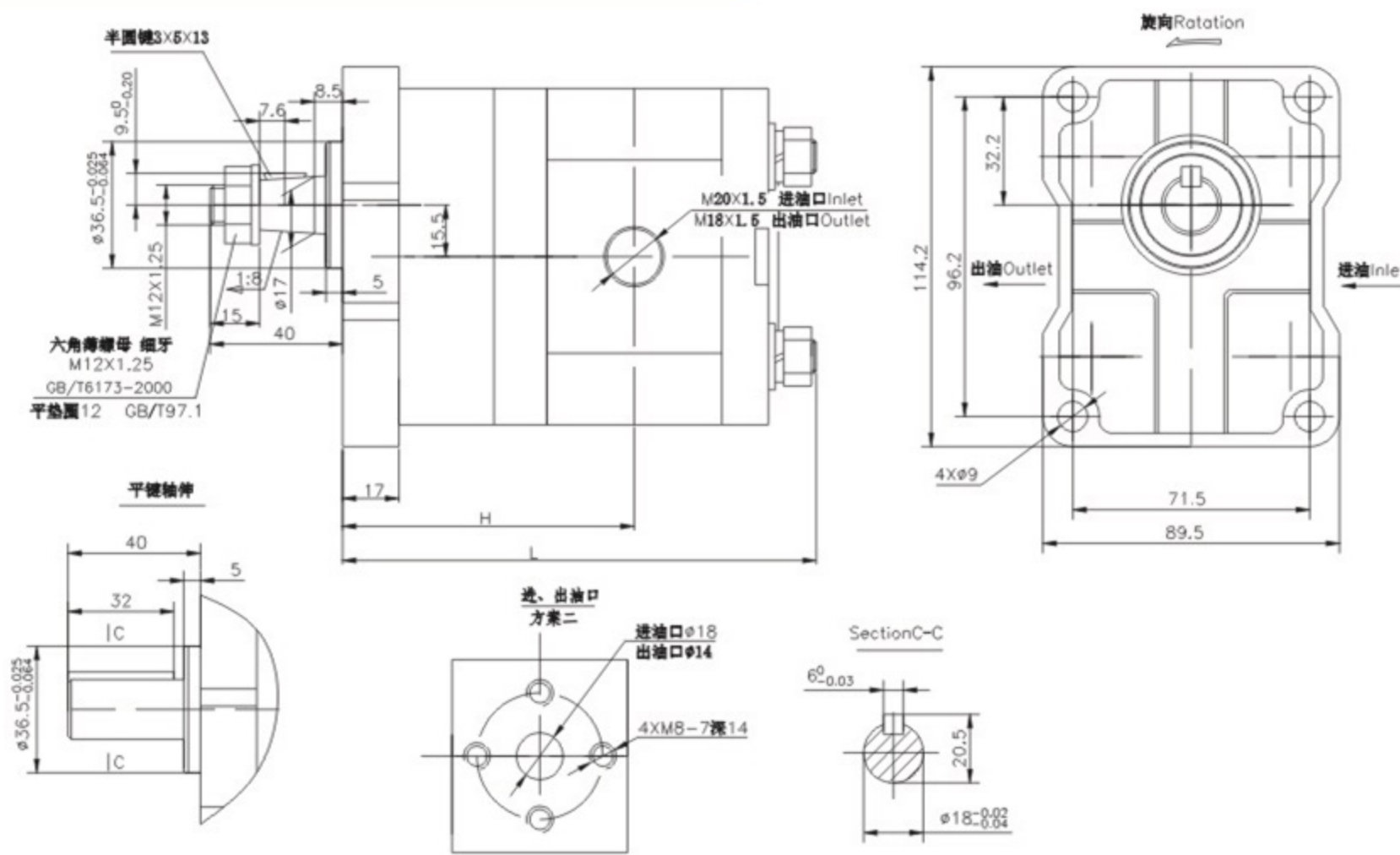
CBN-F3**DZ系列齿轮泵是液压系统的动力元件，泵是三片式结构，采用轴向间隙自动补偿装置。配有DU轴承和高强度铸铁盖，主动轴前端轴伸部位安装轴承，可承受部分轴向力和径向力。具有结构简单、工作可靠、使用寿命长等特点。广泛应用于工程机械、起重机械、运输机械、农业机械液压系统中。该系列泵具有左旋、右旋两种旋向。

CBN-F3**DZseries gear pump is dynamic component of the hydraulic system .The pump is three sheet type structure and adopts axial clearance automatic compensation device. It is equipped with DU bearing and strength cast iron cover, The bearing is installed at the shaft extension part of the front end of the active shaft, which can bear part of the axial force and radial force .It is has characteristic of simple structure., reliable work and long service life , etc . It is widely used in the hydraulic system of engineering machinery hoist and transport machinery and agriculture machinery. Both clockwise and counterclockwise direction pump are available.

型号说明 Model code



外形尺寸 Installation Dimensions



技术参数 Technical Data

型号 Model	公称排量 Disp. (ml/r)	压力 Pressure (MPa)		转速 Speed (r/min)		尺寸 Diminon	
		额定 Rated	最高 Max.	额定 Rated	最高 Max.	L (mm)	H (mm)
CBN-F306	6	20	25	2000	3000	140.3	86.7
CBN-F308	8	20	25	2000	3000	143.3	88.2
CBN-F310	10	20	25	2000	3000	146.8	89.9
CBN-F312	12	20	25	2000	3000	150.3	91.7
CBN-F314	14	20	25	2000	3000	153.3	93.2
CBN-F316	16	20	25	2000	3000	156.3	94.7
CBN-F318	18	20	25	2000	3000	160.3	96.7
CBN-F320	20	20	25	2000	3000	163.3	98.2

科技造福生活

简介 General Description

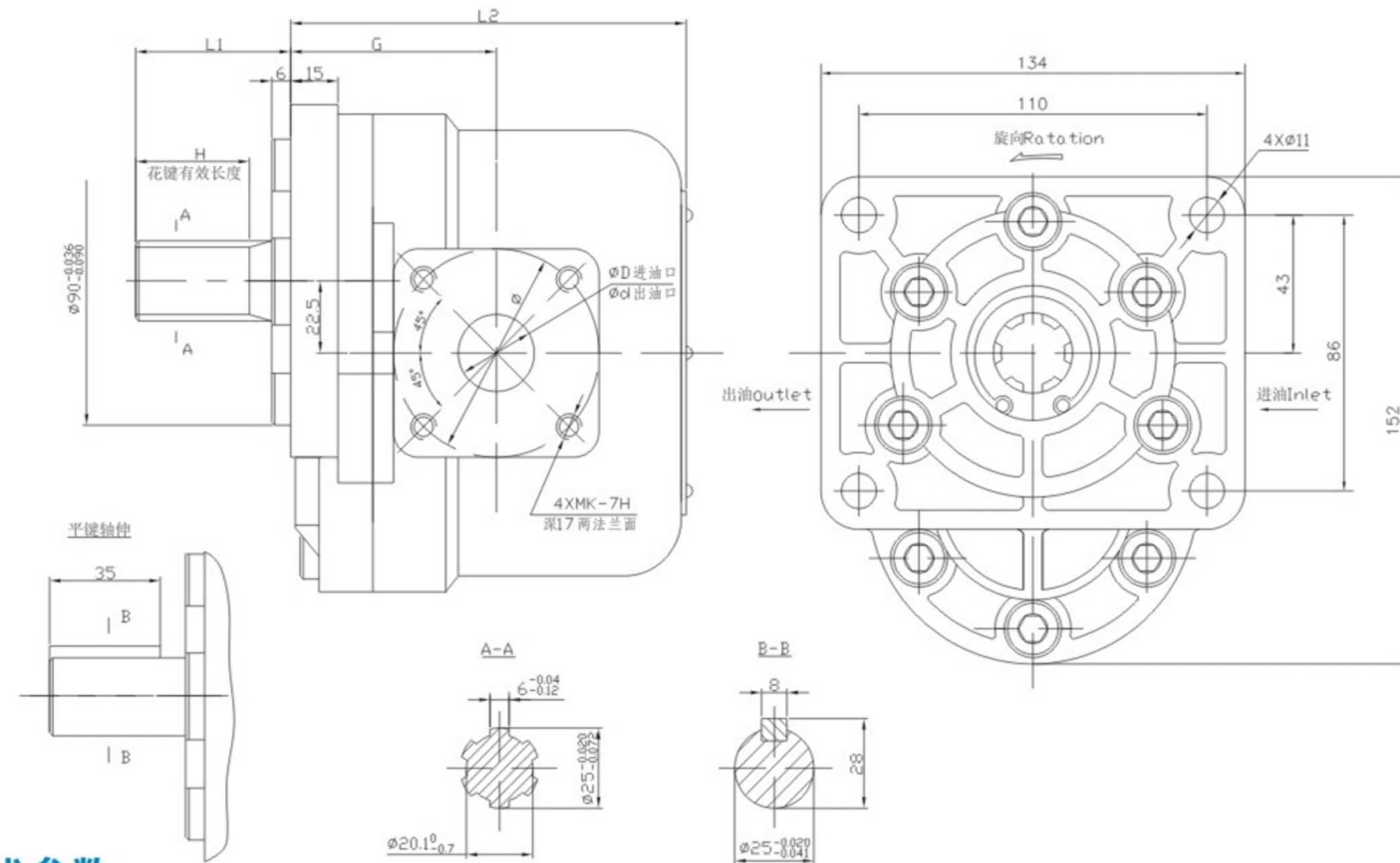
CBN-E**齿轮泵属于中高压齿轮泵，是液压系统的动力元件，该泵为二片式结构，采用高精度齿轮，高强度铝合金壳体，浮动轴承及DU衬套，使其具有结构简单，效率高，使用可靠等优点，广泛用于自卸车，工程机械、起重运输机械、矿山机械及农业机械等液压系统中。该系列泵具有左旋、右旋两种旋向。

CBN-E** series gear pump is the dynamic component of the hydraulic system. It features high precision gears, high strength aluminium-alloy shell, float bushings, and DU bearings. It has the characteristics of simple structure, light weight, high efficiency, low noise, and high reliability, etc. It is widely used in the hydraulic system of truck, construction machinery, lift and transport machinery, mine machinery, and agriculture machinery, etc. Both clockwise and counterclockwise direction pump are available.

型号说明 Model code



外形尺寸 Installation Dimensions



技术参数 Technical Data

型号 Model	公称排量 Disp. (ml/r)	压力 Pressure (MPa)		转速 Speed (r/min)		尺寸 Diminon (mm)							
		额定 Rated	最高 Max.	额定 Rated	最高 Max.	L1	L2	G	φ	D	d	H	K
CBN-E25	25	16	20	2000	3000	49	120	63.5	65	20	18	37	8
CBN-E32	32	16	20	2000	3000	49	125	65.5	65	24	18	37	8
CBN-50	50	16	20	2000	3000	51.5	137	71	76	30	24	40	10

